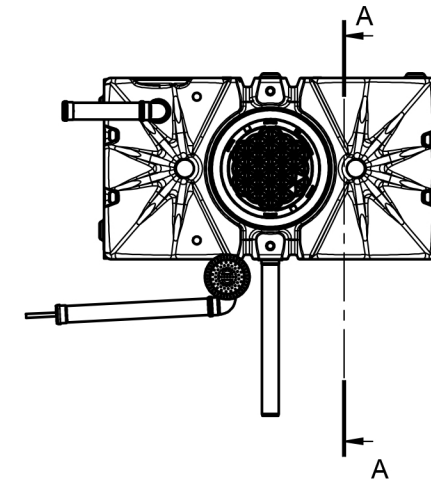
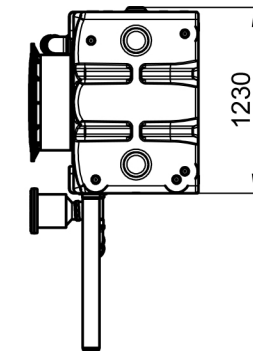
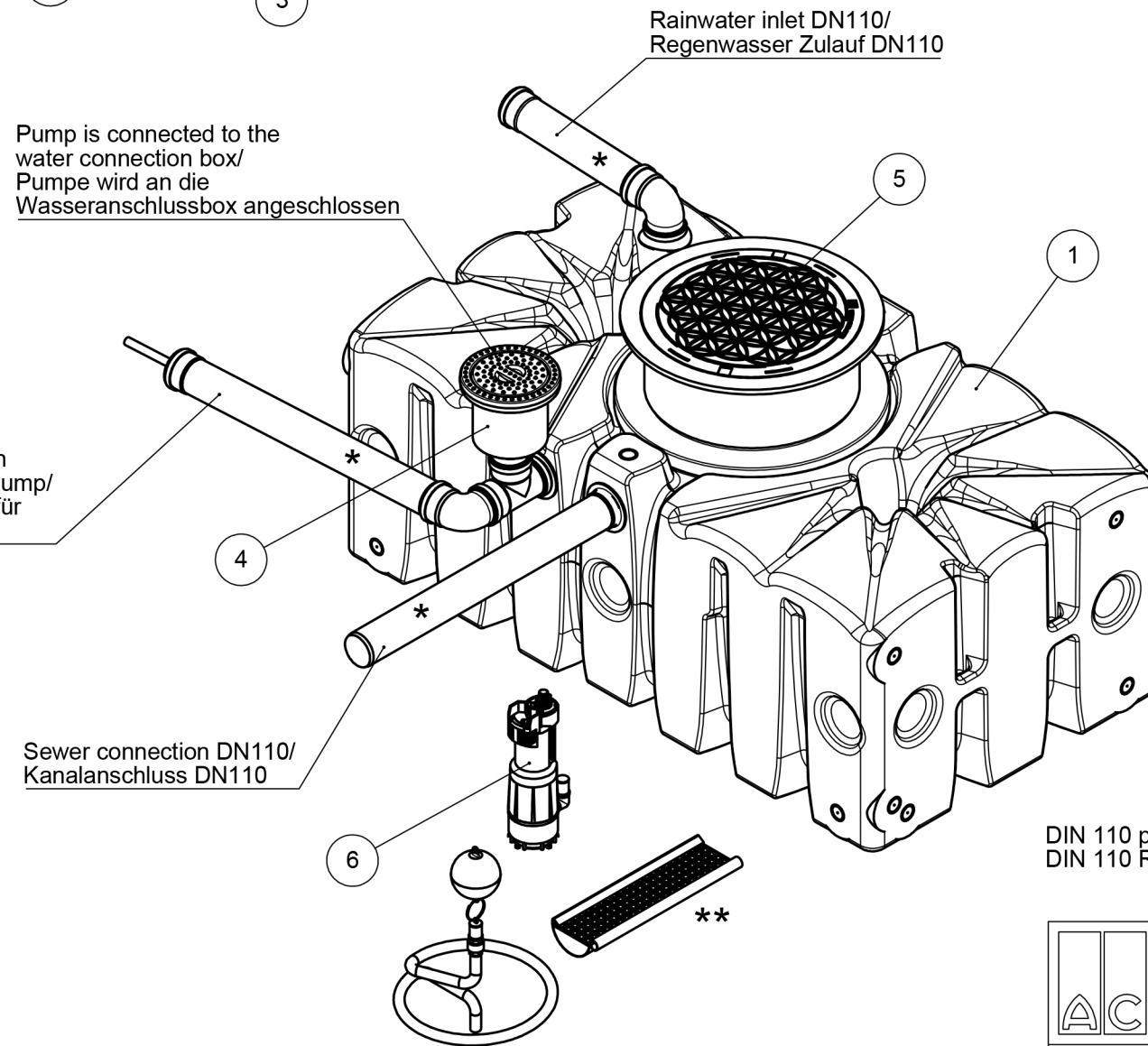
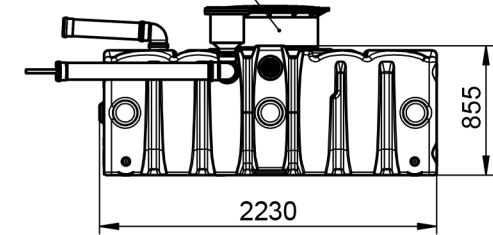


SCALE 1 : 20

Pos.	Item name_Global	Item name_Local	Article No.	1028097/QTY.
1	Flat tank 2000l lying	Flachtank 2000l liegend	103001	1
2	Overflow siphon with rodent protection	Ueberlaufsisphon mit Tierschutz, gekuerzt	103201	1
3	Inlet flow turbulence reducer	Zulaufberuhiger	103211	1
4	Water connection box	Wasseranschlussbox	103206	1
5	Walkable cover, set standard	Begehbare Abdeckung, Set Standard	103100	1
6	Clean water pressure pump, set	Klarwasserdruckpumpe, Set	103151	1

Height adjustable from 400 to 435 mm/
Höhe einstellbar von 400 bis 435 mm

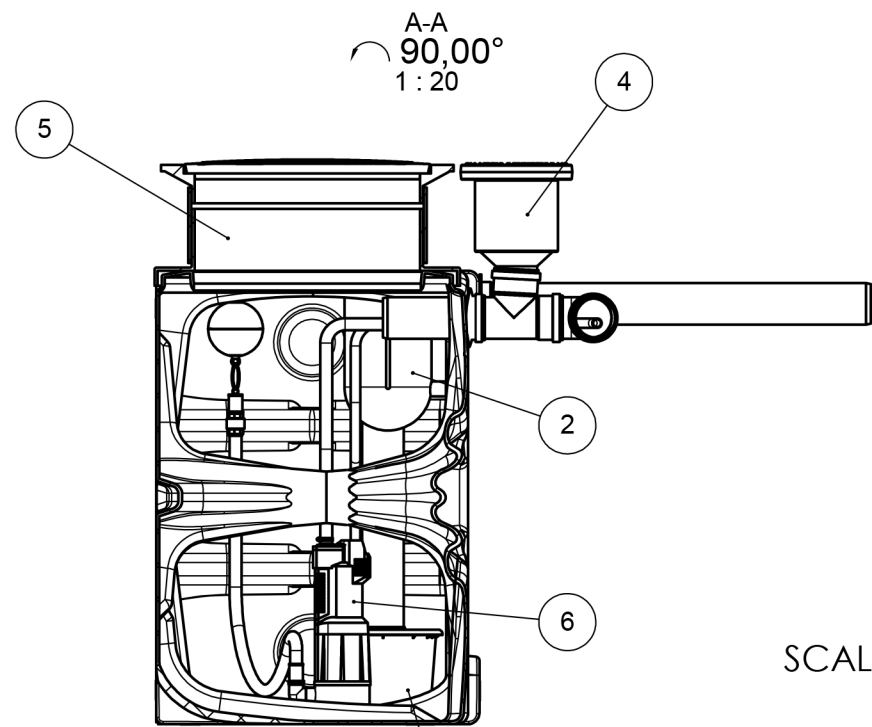


DIN 110 pipe fittings used in installations/
DIN 110 Rohrverschraubungen werden in den Installationen verwendet.

* The represented pipe sections are not included in scope of supply/
Dargestellte Verrohrung ist nicht im Lieferumfang enthalten

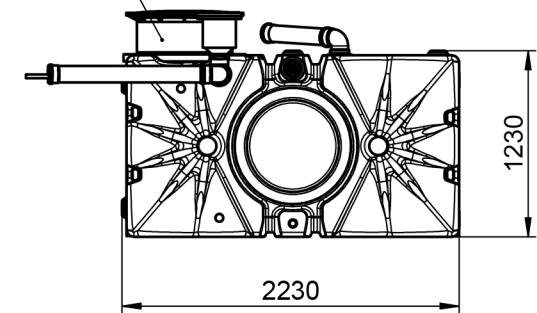
** Only roof gutter grid (34 pieces / 20 m approx.) is included in the scope of supply/
Gitterrost für Dachrinne (34 Stücke / 20 m ca.) im Lieferumfang enthalten

	ACO Hochbau Vertrieb GmbH	technical reference: Bartsch, Martin	drawing-no.: 1028097-M	index: 001	documenttype: marketing drw.
		created by: mbartsch	reviewed by: mbartsch	projection:ISO-E 	scale: 1:50
title: ACO Rain4me Complete product garden plus flat tank 2000l lying Komplettprodukt Garten plus Flachtank 2000l liegend					serial-released
The reproduction, distribution and utilization of this document as well as the communication of its contents to others without express authorization is prohibited. Offenders will be held liable for the payment of damages. All rights reserved in the event of the grant of a patent, utility model or design. Observe copyright by ISO 16016				release date: 2017-05-09 15:41	sheet: 1/1

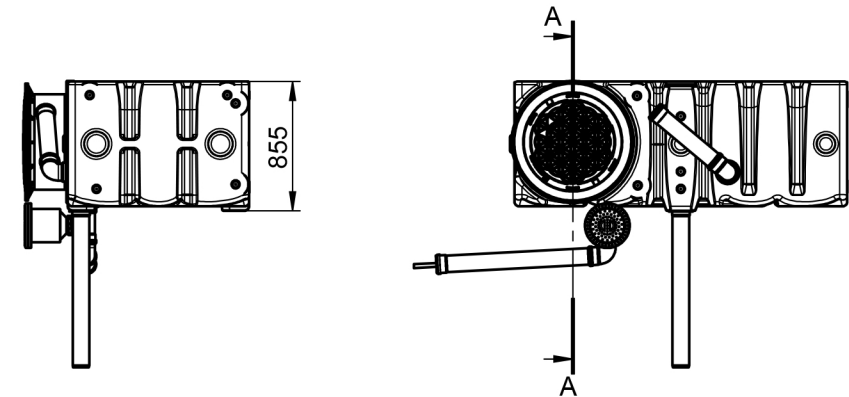
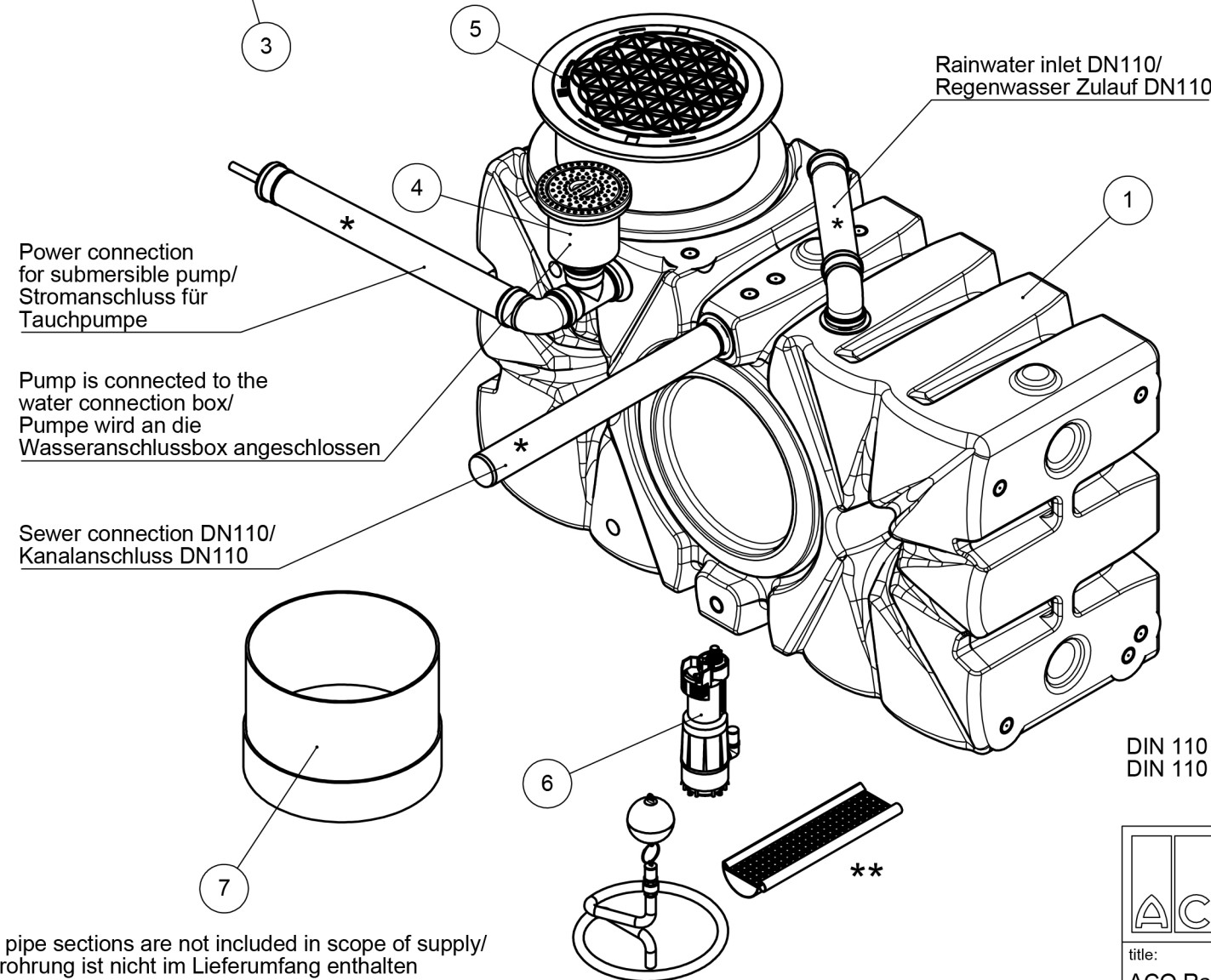


Pos.	Item name_Global	Item name_Local	Article No.	1028104/QTY.
1	Flat tank 2000l standing	Flachtank 2000l stehend	103000	1
2	Overflow siphon with rhodent protection	Ueberlaufsiphon mit Tierschutz, gekuerzt	103201	1
3	Inlet flow turbulence reducer	Zulaufberuhiger	103211	1
4	Water connection box	Wasseranschlussbox	103206	1
5	Walkable cover, set standard	Begehbare Abdeckung, Set Standard	103100	1
6	Clean water pressure pump, set	Klarwasserdruckpumpe, Set	103151	1
7	Dome extension DN 600	Domverlaengerung DN 600	103103	1

Height adjustable from 400 to 435 mm/
Höhe einstellbar von 400 bis 435 mm



SCALE 1 : 20



DIN 110 pipe fittings used in installations/
DIN 110 Rohrverschraubungen werden in den Installationen verwendet.

* The represented pipe sections are not included in scope of supply/
Dargestellte Verrohrung ist nicht im Lieferumfang enthalten

** Only roof gutter grid (34 pieces / 20 m approx.) is included in the scope of supply/
Gitterrost für Dachrinne (34 Stücke / 20 m ca.) im Lieferumfang enthalten

	ACO Hochbau Vertrieb GmbH	technical reference: Bartsch, Martin	drawing-no.: 1028104-M	index: 001	documenttype: marketing drw.
		created by: mbartsch	reviewed by: mbartsch	projection:ISO-E 	scale: 1:50
title: ACO Rain4me Complete product garden plus flat tank 2000l standing Komplettprodukt Garten plus Flachtank 2000l stehend			serial-released		
The reproduction, distribution and utilization of this document as well as the communication of its contents to others without express authorization is prohibited. Offenders will be held liable for the payment of damages. All rights reserved in the event of the grant of a patent, utility model or design. Observe copyright by ISO 16016				release date: 2017-05-09 16:32	sheet: 1/1