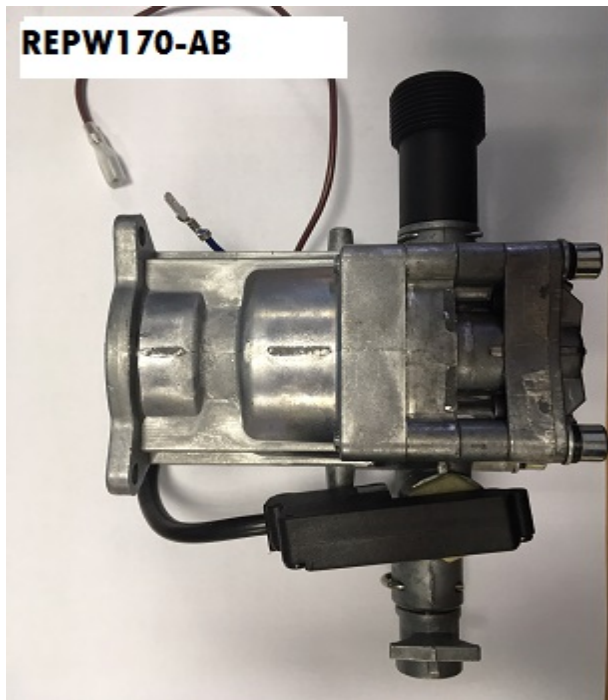


			YLQ6660G-B
		1/3	
		1:6	YLQ6660G-B
			A

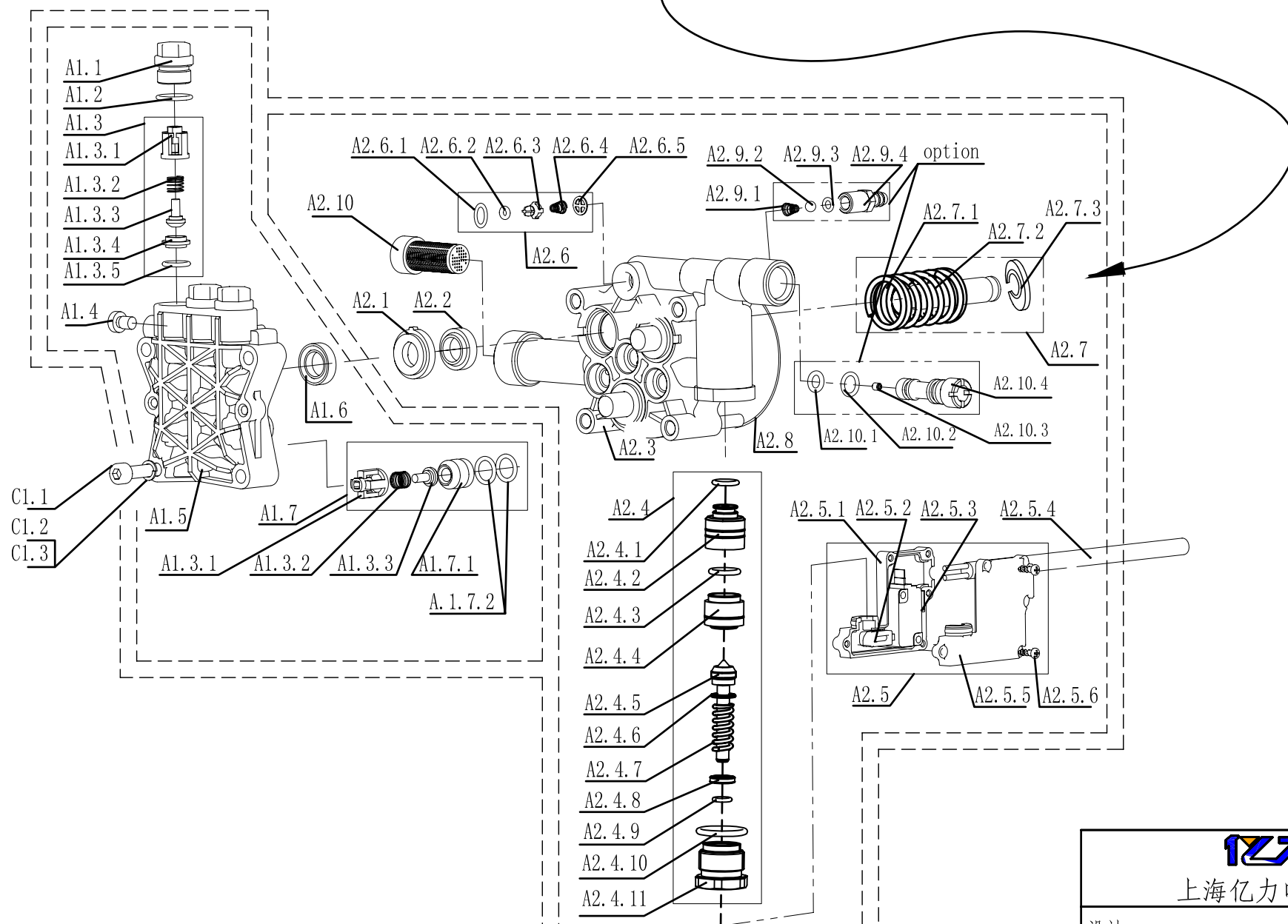
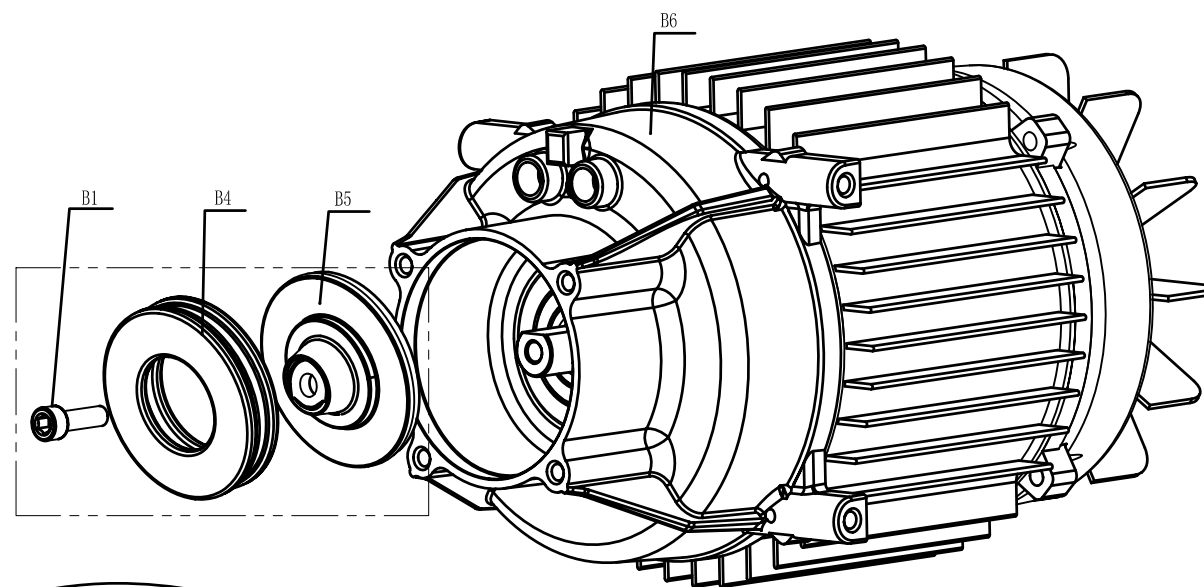
REPW 170				
Item	DrawingNo.	EnglishName	Qty	
1	REPW170-1	čep hadičky (Spray spigot)	1	
2	REPW170-2	zástrčka čepu (Spray plug)	1	
3	REPW170-3	šroub (Screw ST4.8*20)	21	
4	REPW170-4	šroub (Screw ST3.5*13F)	13	
5	REPW170-5	podložka (big washer \varnothing 6)	2	optional
6	REPW170-6	otočný držák (rotary handle)	1	
7	REPW170-7	šroub (ScrewM6X20)	2	optional
8	REPW170-8	štítek (rating label)	1	
9	REPW170-9	krytka (water outlet cover)	1	
10	REPW170-10	náprava (axle)	1	
11	REPW170-11	kolečko (wheel)	2	
12	REPW170-12	podložka (flat washer)	2	
13	REPW170-13	poklice kola (wheel cover)	2	
14	REPW170-14	segerova pojistka (external circlip)	2	
15	REPW170-15	deska (Waterproof board)	1	
16	REPW170-16	podložka (Screw,ST3.5X16)	2	
17	REPW170-17	skelet kondenzátoru (Capacitor box)	1	
18	REPW170-18	kondenzátor (Capacitor30UF)	1	
19	REPW170-19	průchodka (Capacitor sheath)	1	
20	REPW170-20	podložka (Sawtooth washer \varnothing 4)	1	
21	REPW170-21	podložka (Spring washer \varnothing 4)	1	
22	REPW170-22	šroub (Screw,M4X8)	1	
		1800W motor	1	optional
		2000W motor	1	optional
		2200W Motor	1	optional
23	REPW170-23-1	2500WMotor	1	
	REPW170-23-5	Alum. Pump	1	
	REPW170-23-6	Brass Pump	1	optional
24	REPW170-24	deska čerpadla (Pump base)	1	
25	REPW170-25	šroub (Screw,M5X18)	2	
26	REPW170-26	silentblok (Damping ring)	4	
27	REPW170-27	průchodka kabelu (Power cord sheath)	1	
28	REPW170-28	kabel (Power cord ass'y)	1	
29	REPW170-29	přední kryt (Front housing)	1	
30	REPW170-30	maska (front housing decorative sheet)	1	
31	REPW170-31	zátka (water inlet tube sheath)	1	
32	REPW170-32	redukce k hadici (Inlet water nut ass'y)	1	
33	REPW170-33	uložení pistole (Gunstock)	1	
34	REPW170-34	uložení trysky (turbo nozzle hanger)	1	optional
35	REPW170-35	tryska (low pressure nozzle)	1	optional
36	REPW170-36	40°tryska (nozzle)	1	optional
37	REPW170-37	0°tryska (nozzle)	1	optional
38	REPW170-38	15°tryska (nozzle)	1	optional
39	REPW170-39	tryska (25° nozzle)	1	optional
40	REPW170-40	držák trysek (nozzle fixed sheet)	1	optional
41	REPW170-41	turbo tryska (turbo nozzle)	1	optional

42	REPW170-42	bajonet (turbo lance)	1	optional
43	REPW170-43	bajonet (YLG060.4 quick lance)	1	optional
44	REPW170-44	bajonet s tryskou (Spray lance YLG06)	1	
45	REPW170-45	krytka tlačítka (switch cover)	1	
46	REPW170-46	tlačítko (ON/OFF Switch)	2	
47	REPW170-47	maska spínačů (Switch deck)	1	
48	REPW170-48	pistole (Spray gun YLG06)	1	
49	REPW170-49	madlo (handle)	1	
50	REPW170-50	segerova pojistka (split washer)	2	
51	REPW170-51	ventil (Three way valve sheath)	1	
52	REPW170-52	pojistka (U pin)	2	
53	REPW170-53	gumový kroužek (rubber mat)	1	
54	REPW170-54	o-kroužek (O-ring11.2X2.65)	1	
55	REPW170-55	ventil (Three way valve)	1	
56	REPW170-56	o-kroužek (O-ring7.5X2)	1	
57	REPW170-57	šroub (Screw M8*10)	1	
58	REPW170-58	bok navijáku L (left flange)	1	
59	REPW170-59	cíka na hadici (hose reel hub)	2	
60	REPW170-60	spona (clip)	1	
61	REPW170-61	hadice (8m steel wired rubber hose)	1	
62	REPW170-62	bok navijáku P (right flange)	1	
63	REPW170-63	šroub (screw ST4.8X16)	5	
64	REPW170-64	hřídel kličky (wheel rocker)	1	
65	REPW170-65	rukojeť kličky (crank sheath)	1	
66	REPW170-66	šroub (screw ST4.2X25)	1	
67	REPW170-67	uložení navijáku L (left binder plate)	1	
68	REPW170-68	klička (rocking handle)	1	optional
69	REPW170-69	uložení navijáku P (right binder plate)	1	
70	REPW170-70	tlumící deska (baffle)	1	
71	REPW170-71	držák pistole (gun holder)	1	optional
72	REPW170-72	zadní skelet (rear housing)	1	optional
73	REPW170-73	nádoba na saponát (detergent tank)	1	optional
74	REPW170-74	víčko nádoby (tank cover)	1	optional
75	REPW170-75	štítek (warning label)	1	optional
76	REPW170-76	hadice (soft tube)	1	optional
77	REPW170-77	tlak. hadice (inner pressure hose)	1	optional
78	REPW170-78	zátky (waterproof cap)	4	
79	REPW170-79	kryt spínače (switch cover)	1	
80	REPW170-80	tyčka spínače (button pole)	1	
81	REPW170-81	spínač (switch)	1	
82	REPW170-82	skelet spínače (switch box)	1	
83	REPW170-83	ventil (detergent valve sleeve)	1	
84	REPW170-84	pružina (spring)	1	
85	REPW170-85	pin	1	
86	REPW170-86	o-kroužek (o ring5x2)	1	
87	REPW170-87	o-kroužek (o-ring20x2)	1	
88	REPW170-88	deska ventilu (detergent valve plate)	1	
89	REPW170-89	šroub (screwST3X12)	4	
90	REPW170-90	připojení ventilu (detergent valve plug)	1	

REPW170-AB



版本	修订内容	技改单号	修改
D	溢流阀型号更改; 虹吸头拆分成2个组件。		



注: 1. 本爆炸图为“电机泵总成”的爆炸图, 为了便于模块化管理, 电机泵总成的爆炸图不包含减振圈、出线圈、风罩(风罩可能包含安装其中的开关、开关旋钮等)等零件, 上述零件会在“机芯爆炸图”中体现。
2. 本图如有更改恕不另行通知, 备件物料信息以订单BOM为准。

Parts information here are subject to change without notice, pls refer to order BOM for spare parts information .

 上海亿力电器有限公司		材料	中文名称	
		重量	M18A-P08A电机泵爆炸图	
设计	标准化	阶段标记	英文名称	
审核	批准	页码 1/1	Explored drawing (YLM18A+P08A)	
会签	日期	比例	图号	版本
			YLM18A-P08A.asm-ex	D

číslo	englisch	název
REPW170-A1.1	valve nut	zátka
REPW170-A1.2	O-ring	o-kroužek
REPW170-A1.3	oulet valve assemble	ventil (1kus)
REPW170-A1.6	Y-seal	gufero
REPW170-A1.7	Inlet valve kit	ventil pístu (1kus)
REPW170-A2.1	seal bracket	sedlo
REPW170-A2.2	piston oil seal	gufero pístku
REPW170-A2.5	micro-switch kit	tlakový spínač elektro
REPW170-A2.6	chief valve kit	ventil
REPW170-A2.9	siphon kit	výpost. Ventil
REPW170-A2.10	venturri assy	ventil
REPW170-B4	thrust bearing	ložisko
REPW170-B5	disc	disk
REPW170-C.3	sealing	těsnění