

# SUBWAY 50 SU



- Installation in natural stone or artificial stone countertops
- Minimum width of undersink cabinet: 50 cm
- Possible combinations undercounter see pages 111-112
- Compatible with all soap dispensers on page 93
- Further selection of cover caps for turn lever on page 97



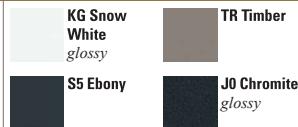
UNDERCOUNTER SINKS

Ref.	Description (for XX, please enter colour number)	€ excl. VAT	
		Classicline	Premiumline
3325 01 XX	Undercounter Sink inclusive Waste system, hand-operated	757,00	848,00
3325 02 XX	Undercounter Sink inclusive Waste system, pop-up	854,00	945,00

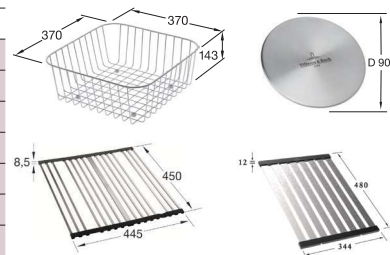
### Classicline CeramicPlus



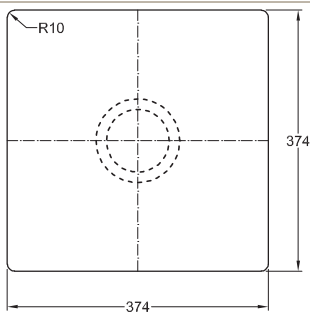
### Premiumline CeramicPlus



Ref.	Optional accessories / spare parts	€ excl. VAT
9849 00 K1	Salad basket, stainless steel	145,-
9K08 00 K1	Rolling mat, stainless steel	118,-
9624 15 LC	Cap waste cover, stainless steel	37,-
9K13 00 LC	Folding draining rack, you will find more colours on page 96	132,-
8276 00 61	Waste system hand-operated, chrome	68,-
8286 10 00	Waste system pop-up without Cover cap	165,-
9218 03 00	Fastening set	41,-

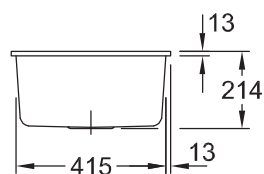
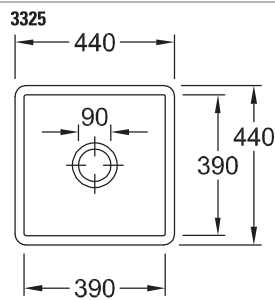


### Required size of worktop



Required size of worktop :  
see attached template  
(Ref. 9307 L0 A4)

### Engineering data



Please refer to the assembly instructions

All dimensions in mm