
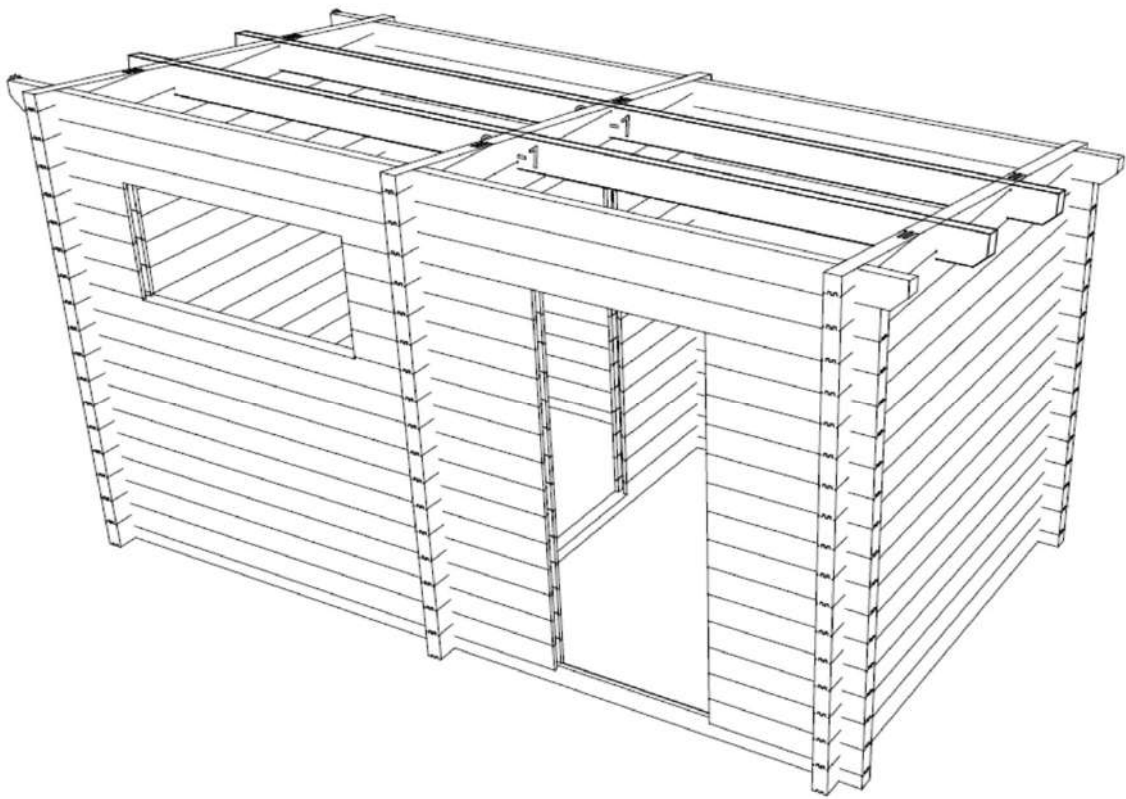


Jakobstad 70

Installation drawings



Marking			Lenght	pcs	
	WALL LOG 70x146				
SR-1	70x145 RAFTER		4207	2	
	BLOCK 70mm			2	



KL-1	Roof board 24x120		2916	38+2	
AR-1	45x95 Floor Frame	Cutout !	3760	1	
AR-2	45x95 Floor Frame		3760	1	
AR-3	45x70 Floor Frame	45x70	2000	1	
AR-4	45x95 Floor Frame		2000	13	
PL-1	24x120 Floor board (Front room)		1796	21	
PL-2	24x120 Floor board (Sauna room)		1765	21	
SR-2	45x45 Roof edge support		4207	2	
PP-1	15x55 base- and ceiling boards		~2,1	14	
RL-1	18x95 Roof moulding (front and back)		~4,3	2	
RL-2	18x95 Roof moulding (sides)		~3,0	2	
LR-1	45x45 ceiling beams		1795	2	
LR-2	15x55 distance board for ceiling		2000	5	
SL-1	STP 14x121 Sauna ceiling paneling		1795	20	

	18x95 Door mouldings	EXTRA	~2,4	2	
UK-1	18x95 Door mouldings		1890	8	
UK-2	18x95 Door mouldings		890	2	
UK-3	18x95 Door mouldings		790	2	
UK-4	15x <u>55</u> Door Moulding		670	2	
UK-5	15x <u>55</u> Door Moulding		570	2	
AK-1	18x95 Window Mouldings		1310	2	
AK-2	18x95 Window Mouldings		1060	2	
AK-3	18x95 Window Mouldings		625	4	

U-1	Wood frame outside door 70 x690x1860			1	
U-2	Glass door 70 x590x1860			1	
A-1	Window 70x1100x540			1	

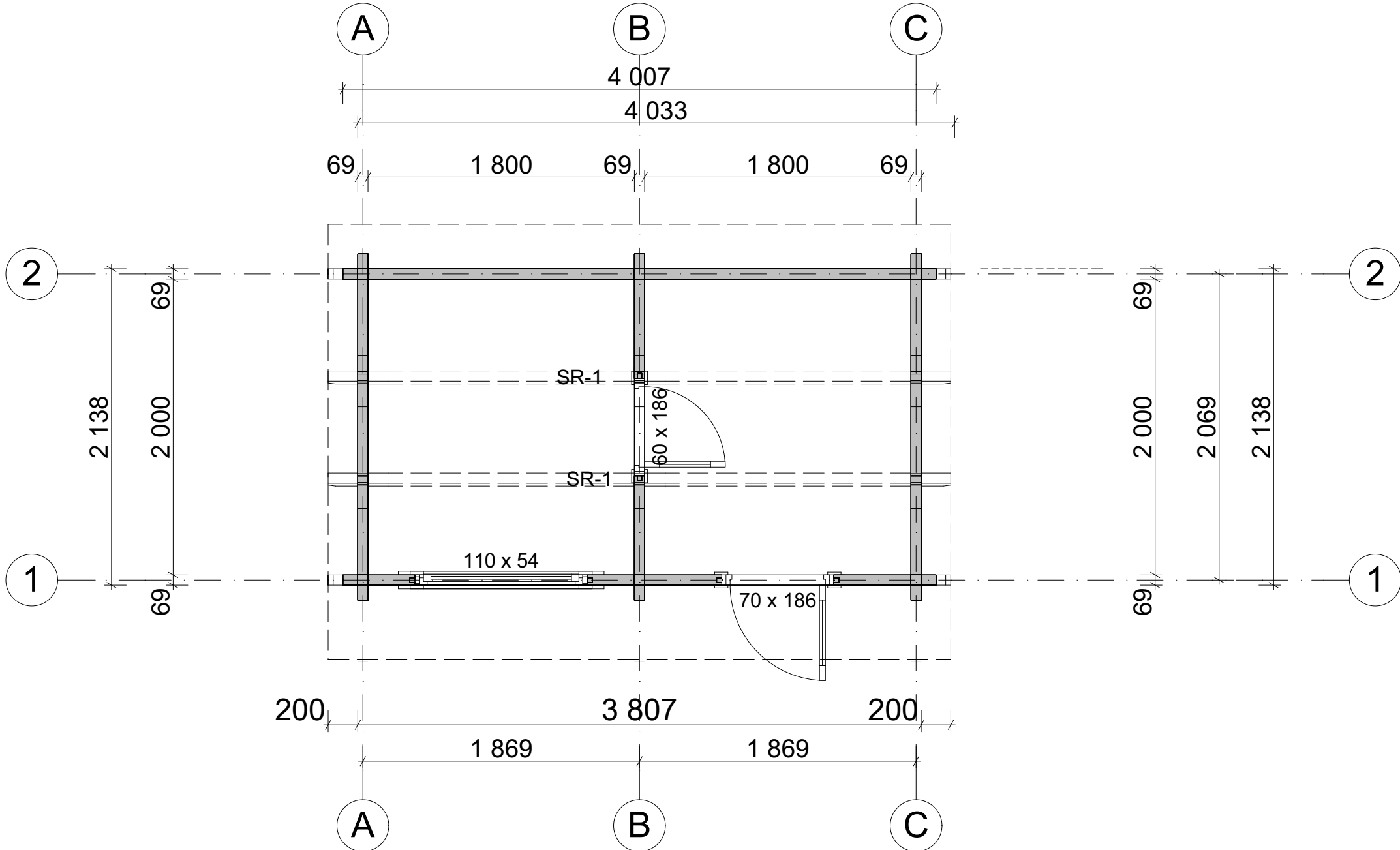
TE-1	28x70+28x30 T- shape fillet		1860	4	
TE-2	28x70+28x30 T- shape fillet		540	2	

	Sauna bench 600x1992			1	
	Sauna bench 500x1992			1	
	Sauna bench 300x1992			1	
	Sauna bench 500x1196			1	
	Sauna bench 200x960			1	
	Bench support set 45x45			1	
	Extra bench support 45x45x1000 + M10			1	
RN-1	Water drainage detail			1	
	3 MM SLOPE DETAIL UNDER FLOORBOARD		1995	1	
	6 MM SLOPE DETAIL UNDER FLOORBOARD		1995	1	
	9 MM SLOPE DETAIL UNDER FLOORBOARD		1995	1	
	12 MM SLOPE DETAIL UNDER FLOORBOARD		1995	1	

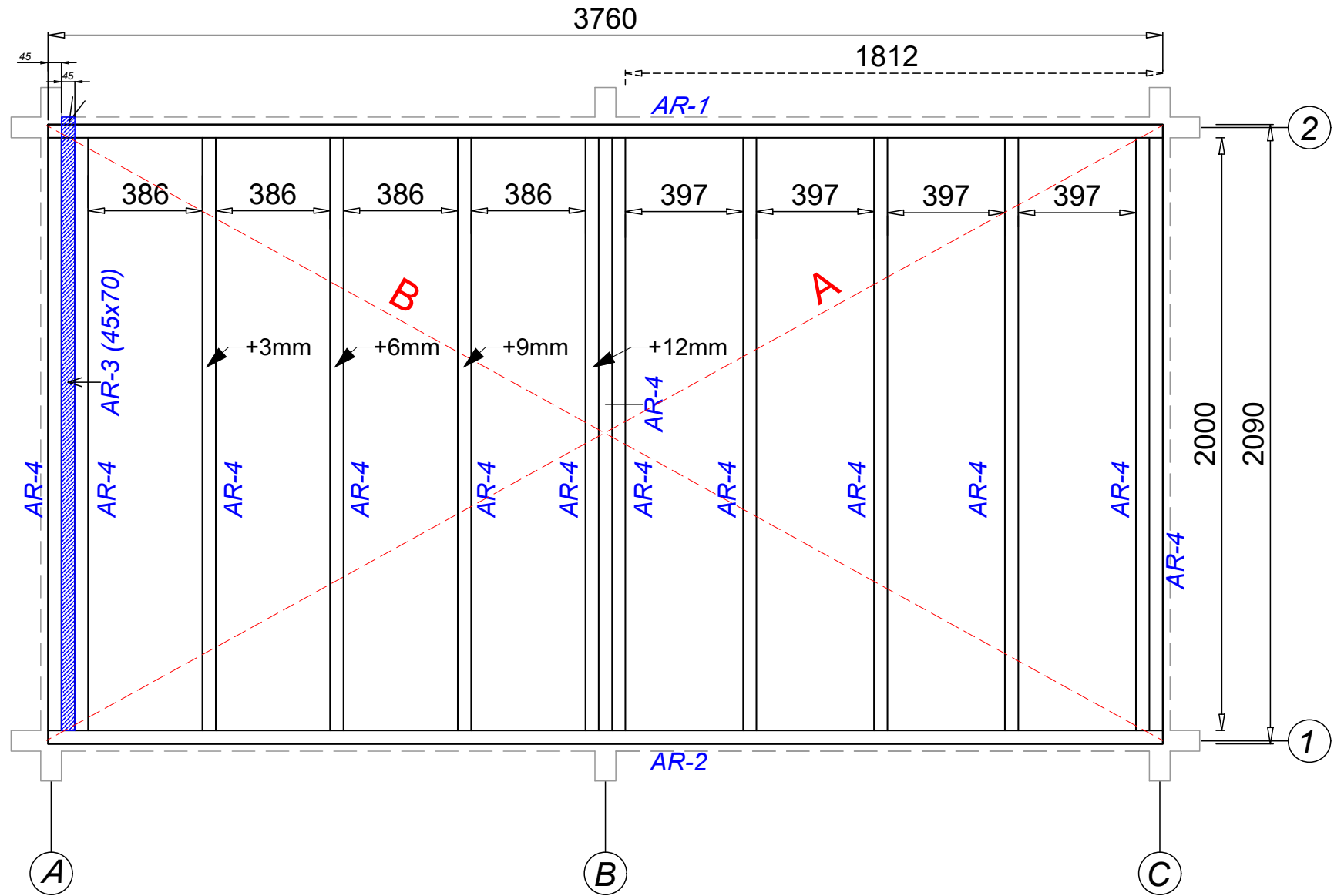
	SPU INSULATION 30x600x1200			6	
--	----------------------------	--	--	---	--

	Threaded rod M10		2420	3	
	Threaded rod M10		2140	3	
	Drive nut M10			6	
	Washer M10			6	
	Nut M10			6	
	Screw 3,5x40 A2 RV mouldings			200	
	Screw 3,5x50 Floor board			400	
	Screw 4,2x55 RV roof mouldings			100	
	Screw 4,5x80 Bench supports/ sauna ceiling			100	
	Screw 5,0x90 Floor frame, wall connections			200	
	KRUVI 6x180 rafters, wall connections			50	
	Nail 1.4x40 mouldings + ceiling panels			200	
	Nail 75 MM roof boards			400	
	Foil tape			1	
	VENTILATION LOUVER WOOD			2	
	VENTILATION GRID METAL			2	
	Installation manual			1	

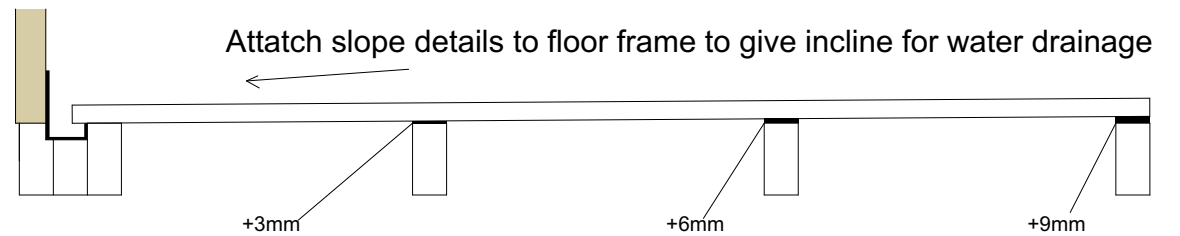
Floor plan



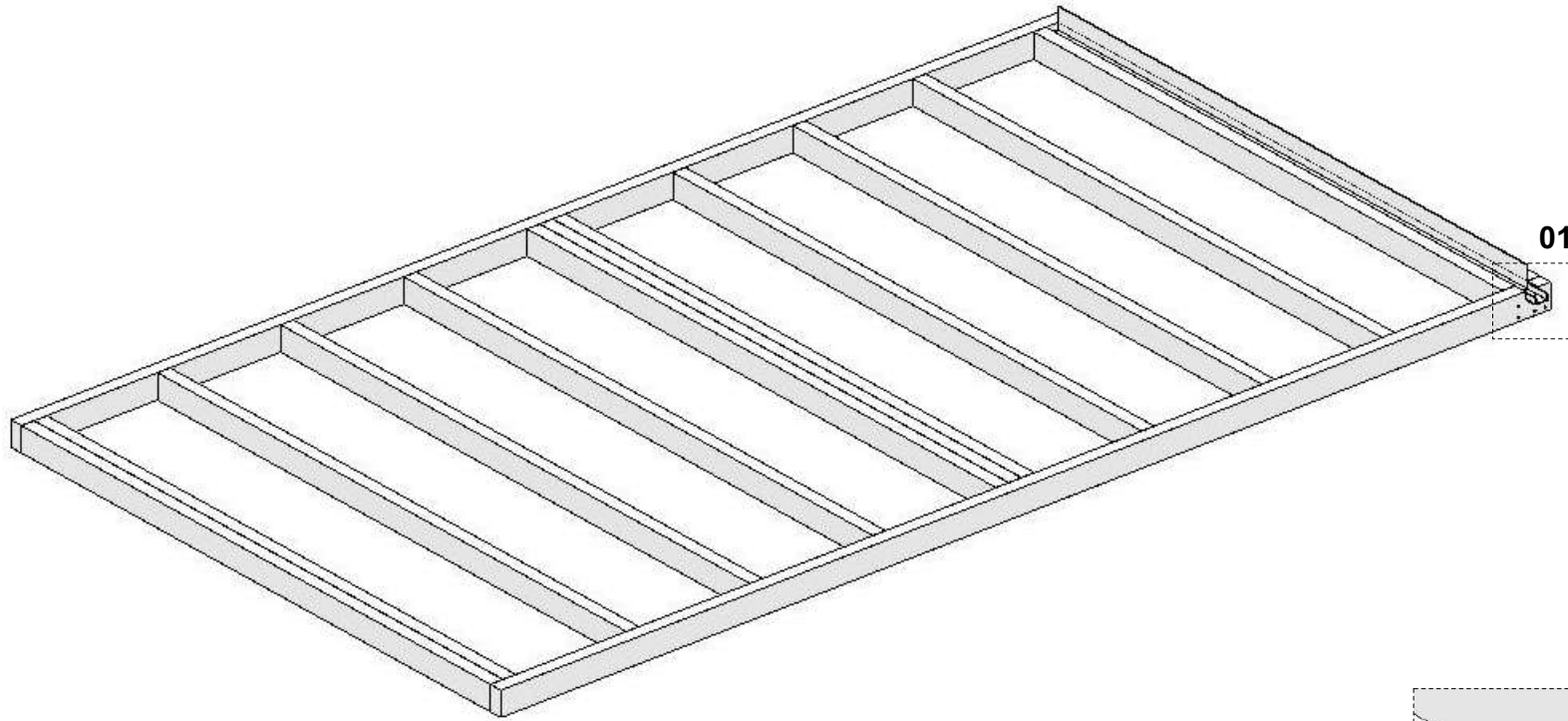
Floor frame



***Check that Floor Frame diagonals are the same length!
A=B!**

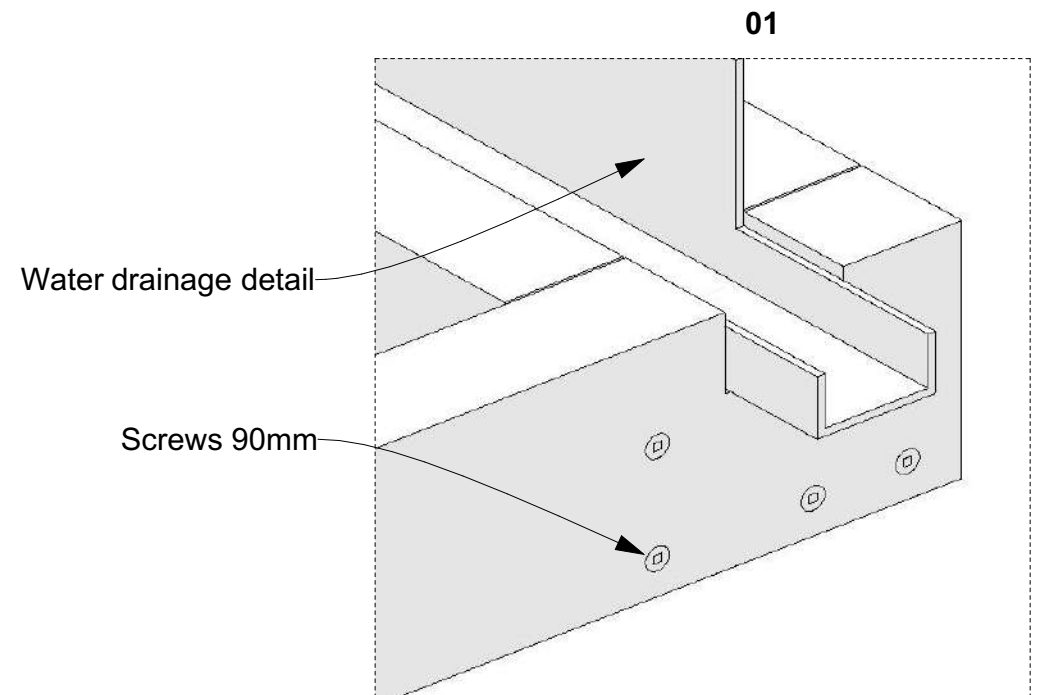
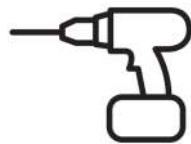


Floor frame



Install water drainage detail before first wall log

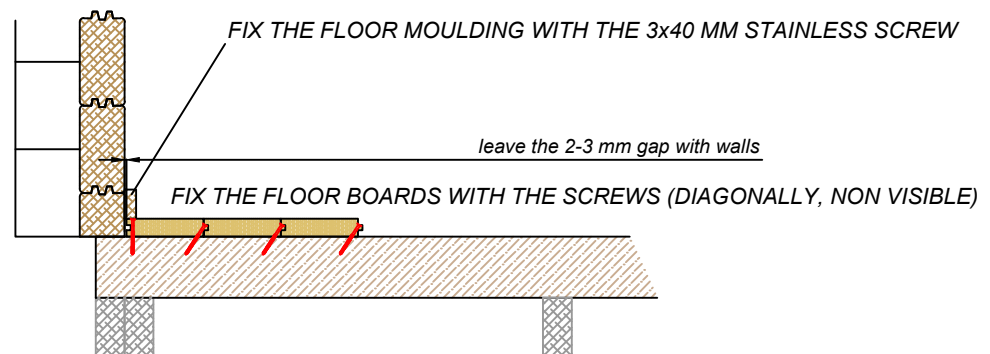
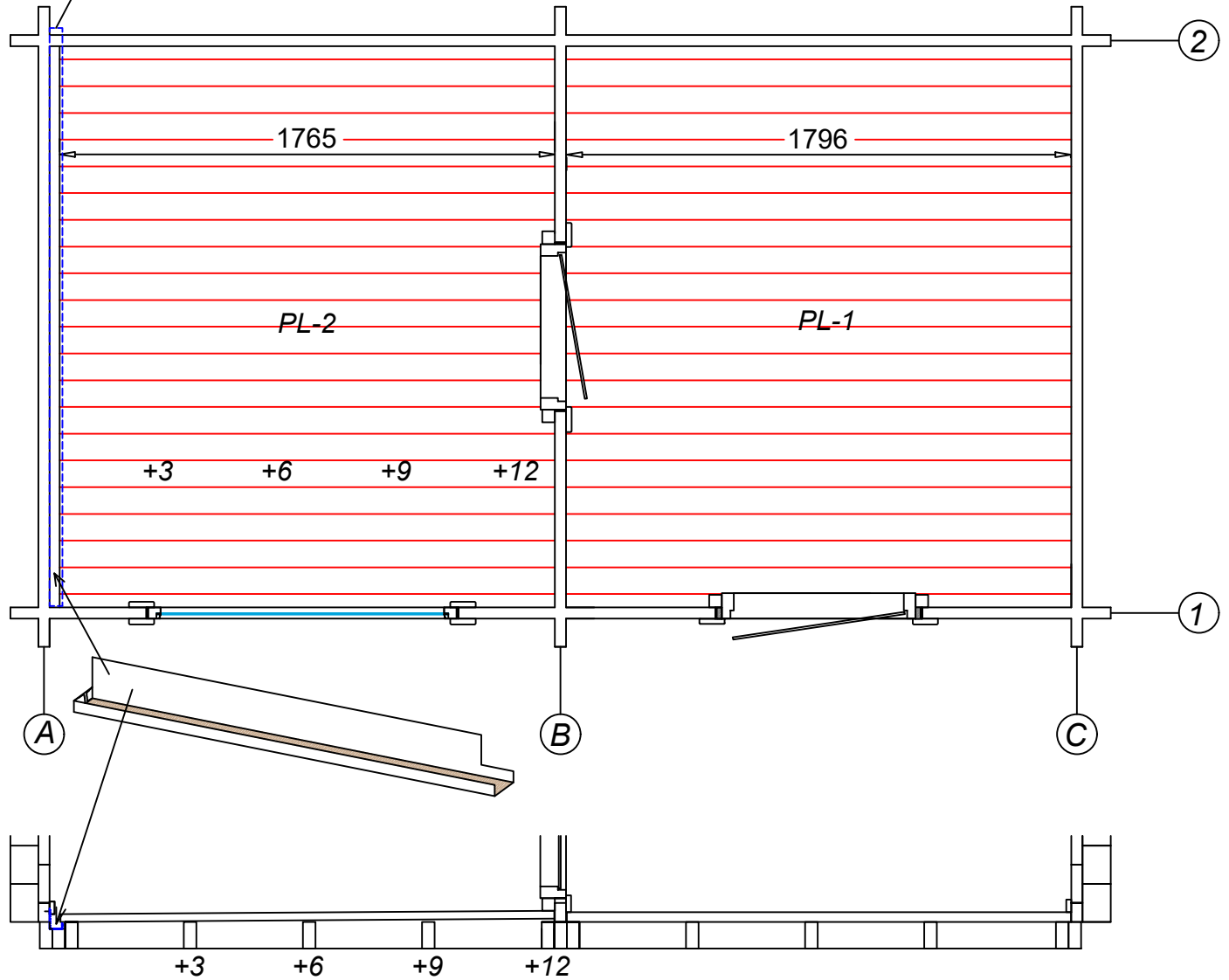
* Use 90mm screws



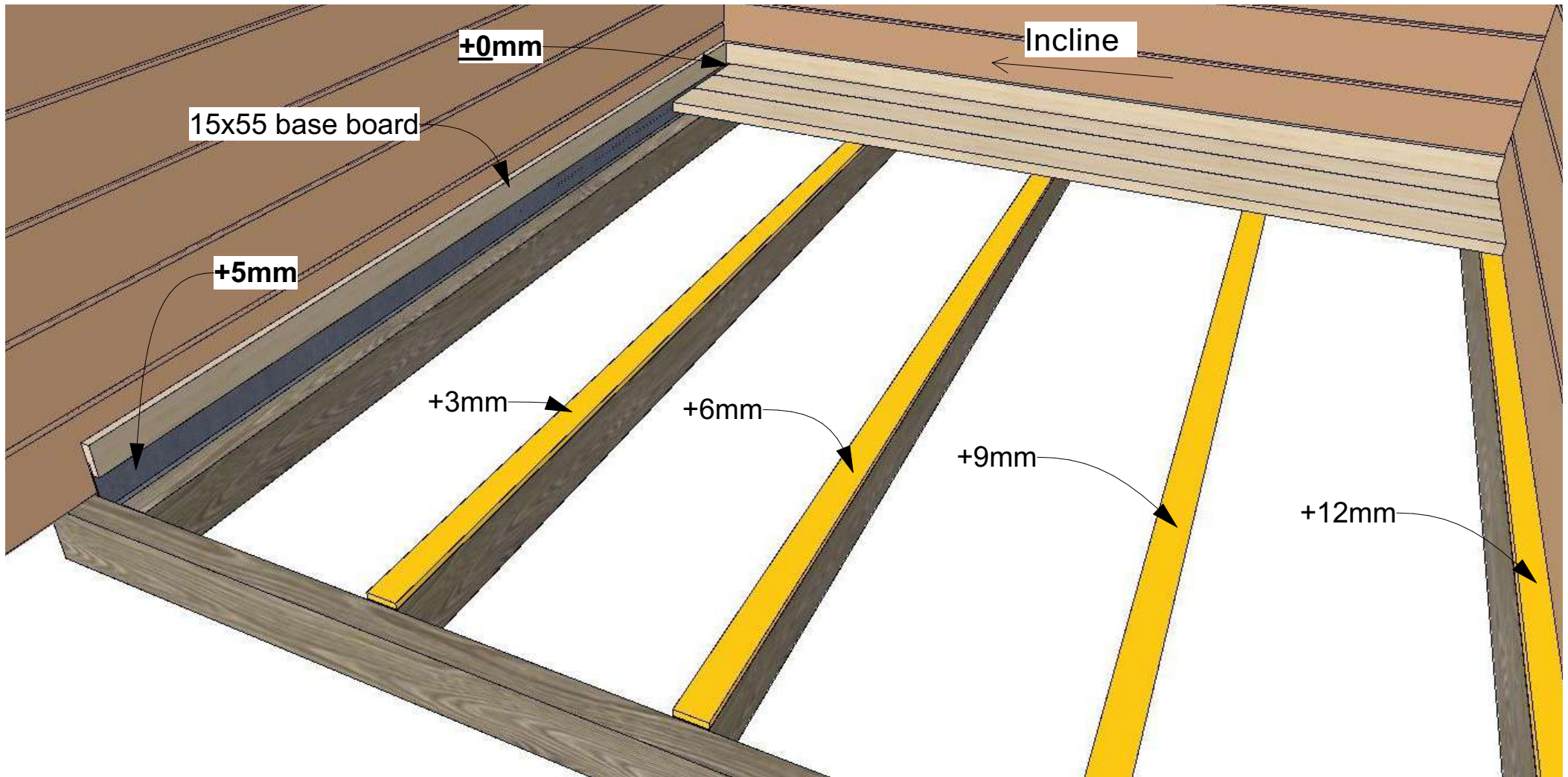
TAKE CARE! WATER DRAINAGE DETAIL HAS SHARP EDGES!

Floor boards

BEFORE INSTALLING THE FLOOR BOARDS, INSTALL THE WATER DRAINAGE GUTTER AND PLYWOOD BOARDS 3, 6, 9, 12 MM



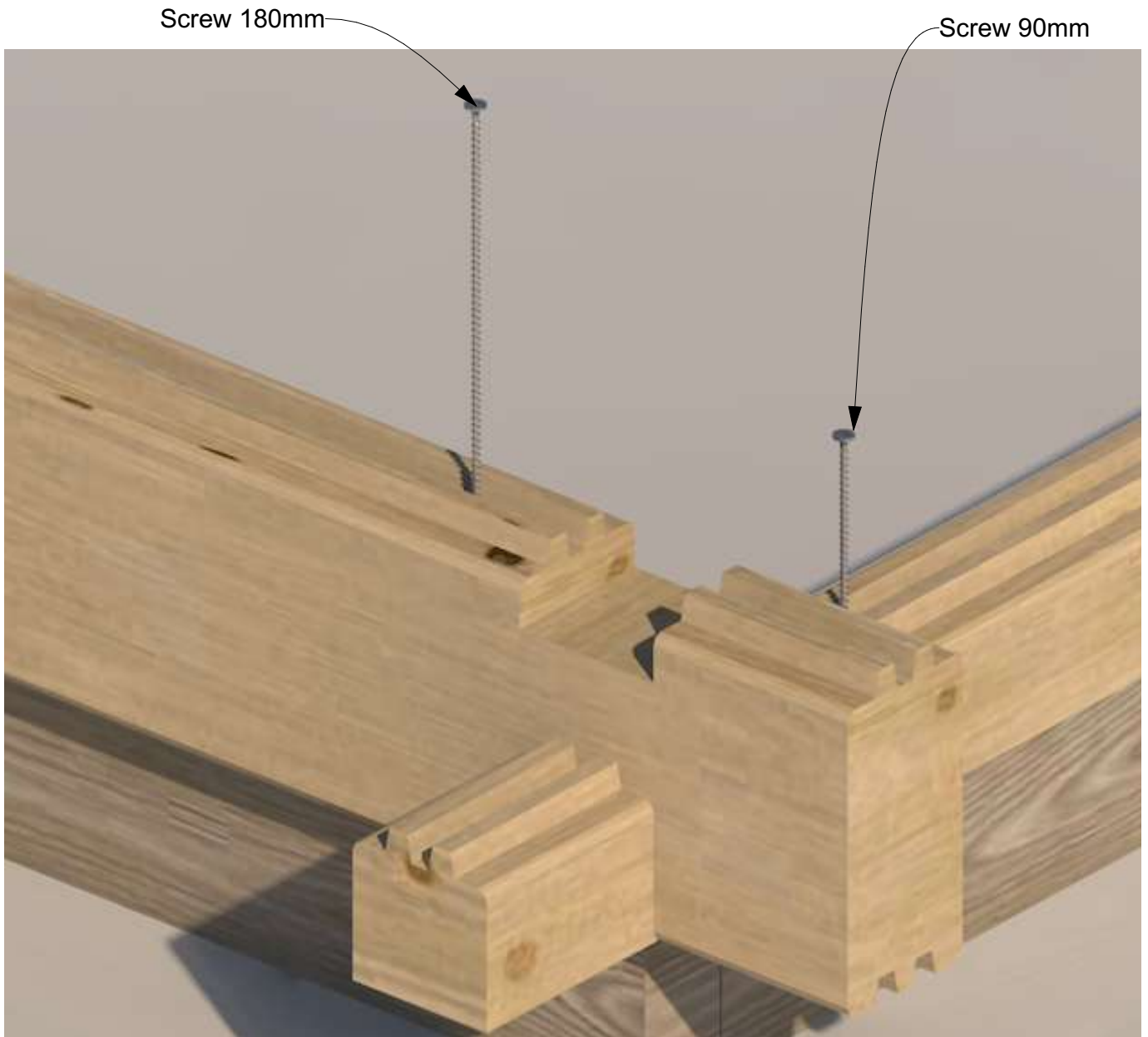
Floor boards



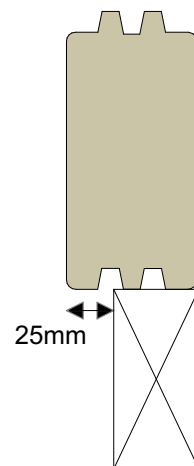
1. Attach slope details to give floor boards incline
2. Install water drainage detail +5mm to give incline
3. Attach base board 15x55 to water drainage detail to fix water drainage detail to wall

First log wall row

Install first log wall row to the floor frame with 90mm and 180mm screws(Suggestion: Drill hole before screwing)



Leave 25mm gap between outer wall log and floor frame



Wall log installation

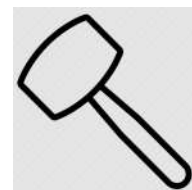
If the wall log is bent (swelling and shrinking) then use 180mm screws

Screw 180mm

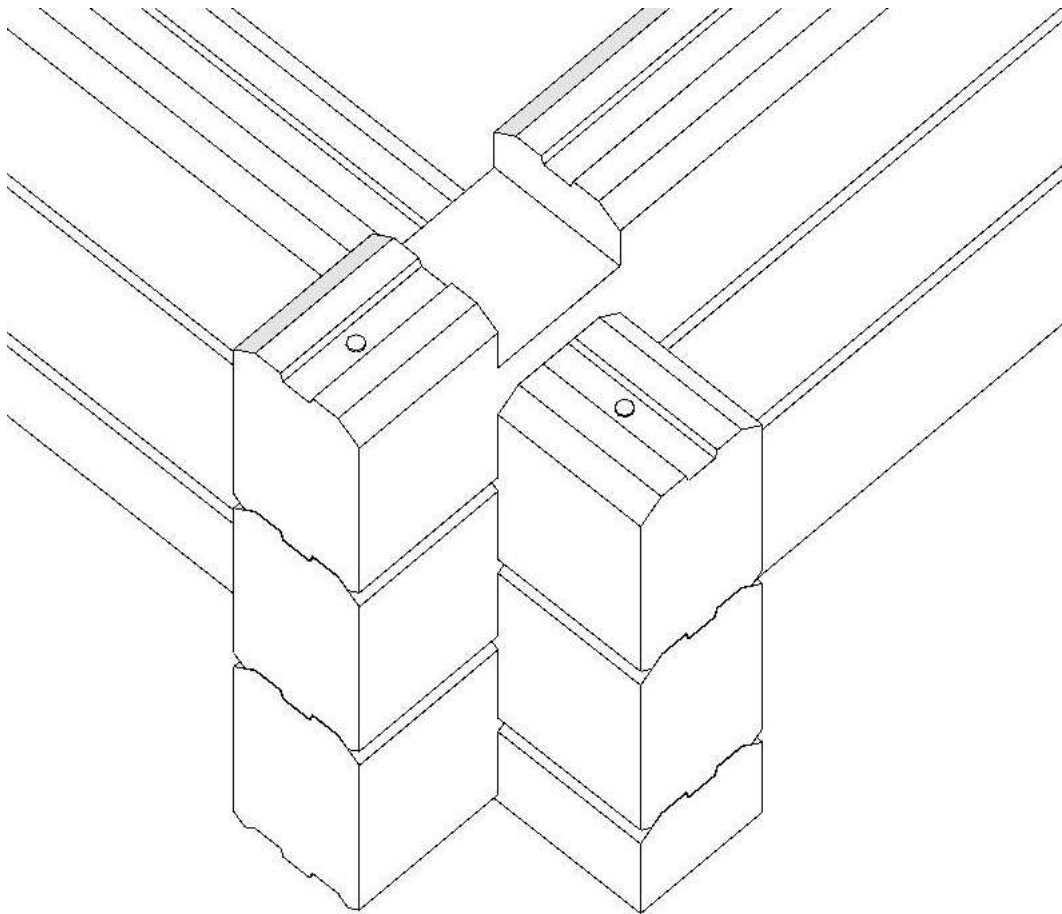
Screw 180mm



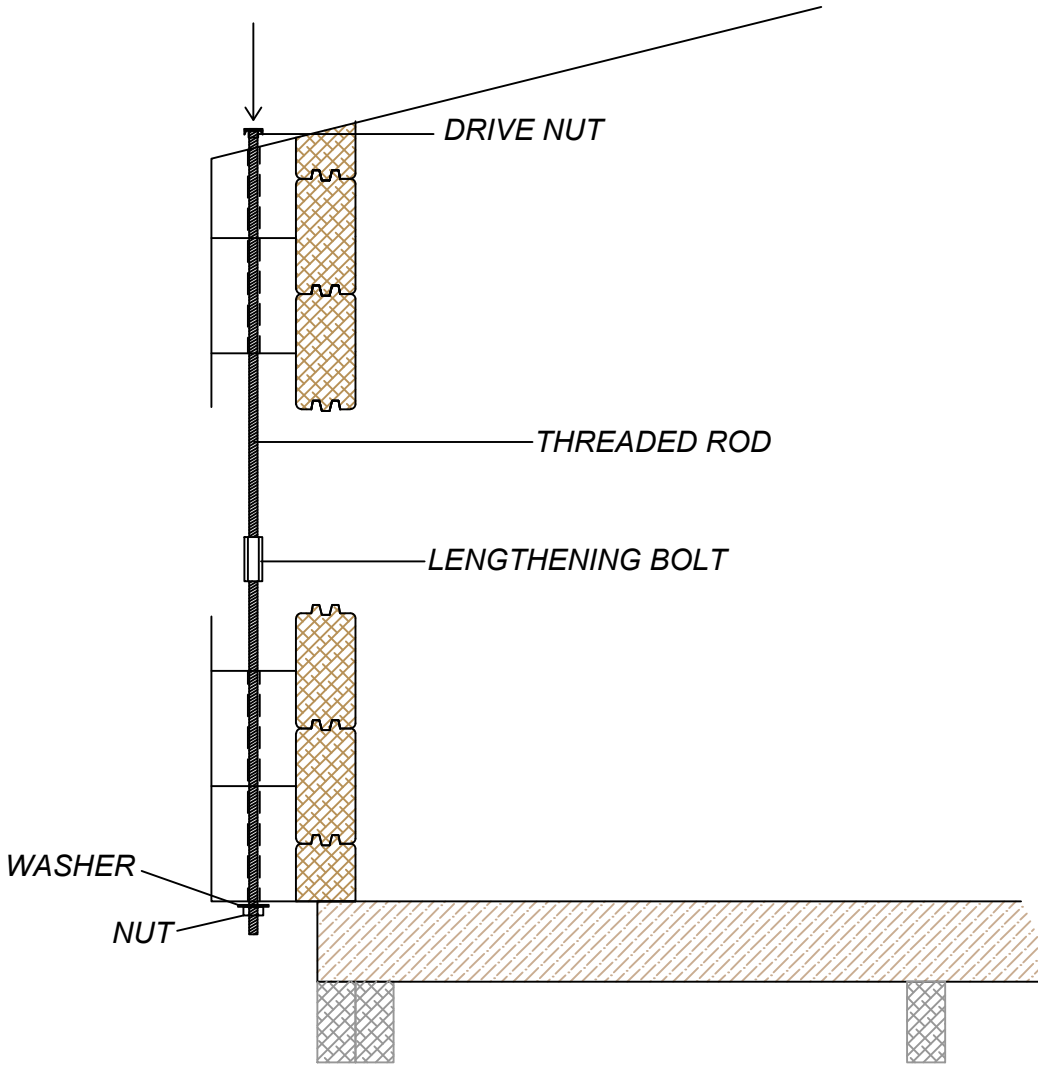
To install wall logs, use hammer and hitting block



Threaded rods

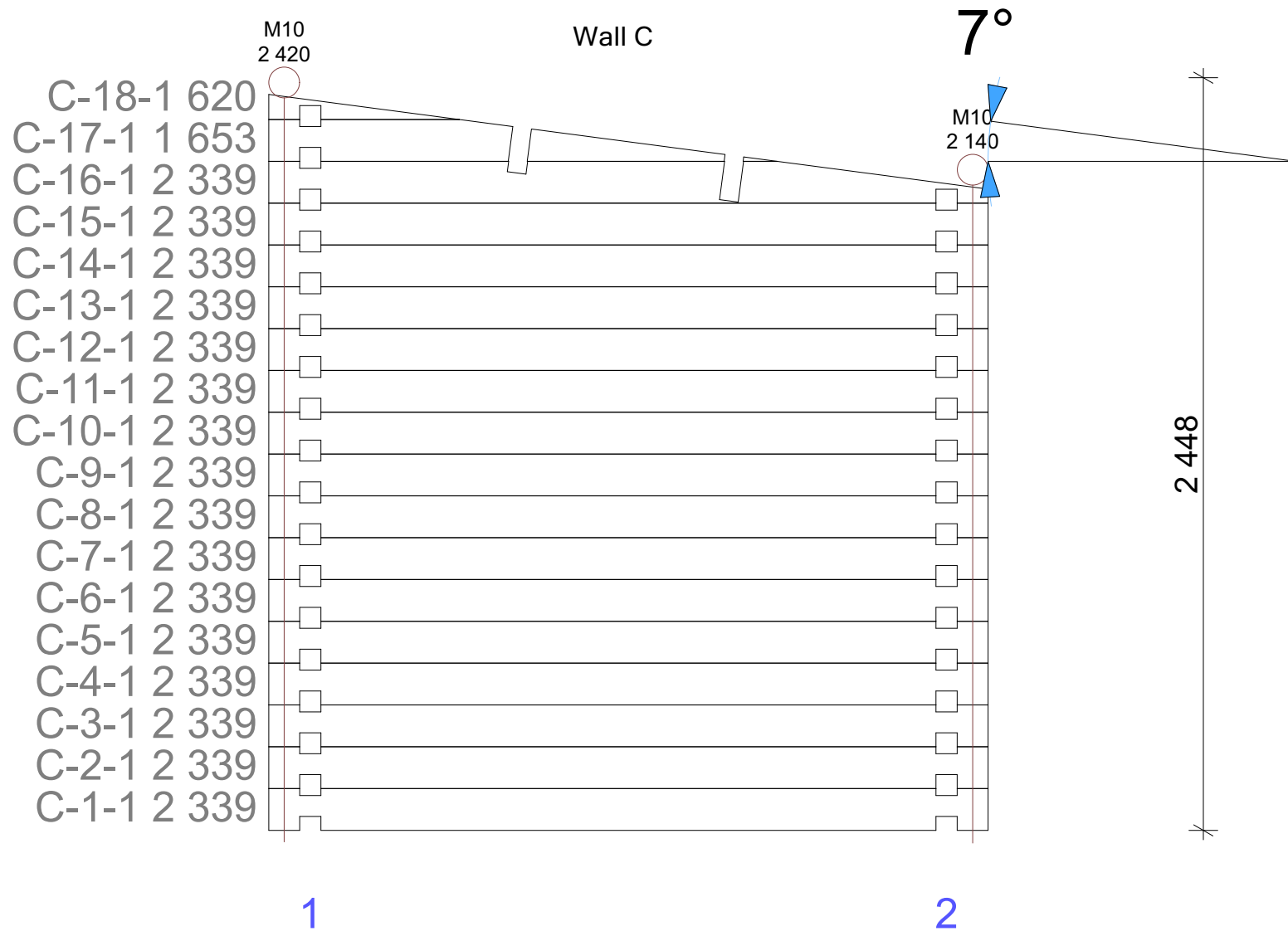


When installing wall logs, check for threaded rod holes in every wall log. If needed, drill a new hole.

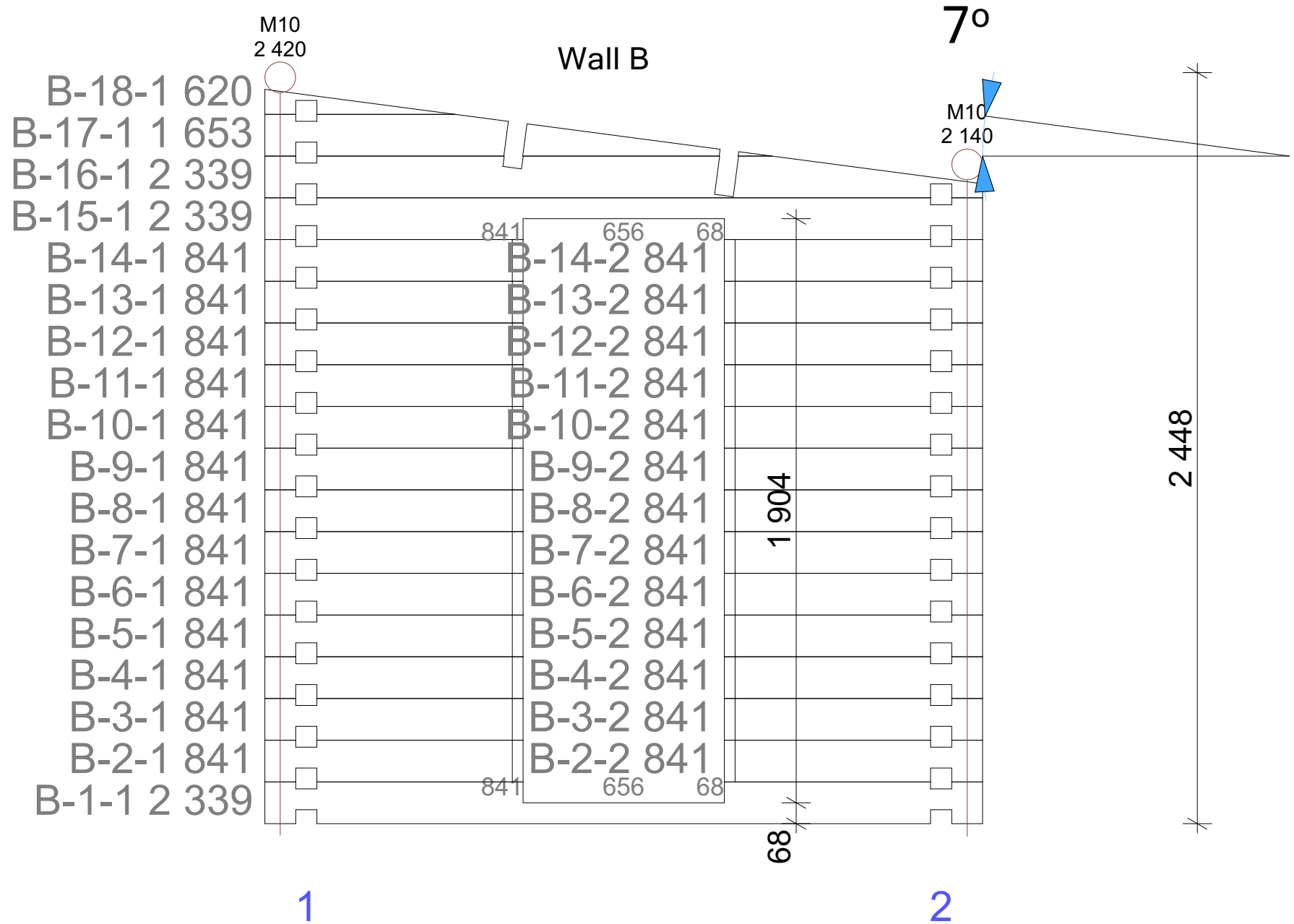


If threaded rod is in multiple pieces, use lengthening bolt

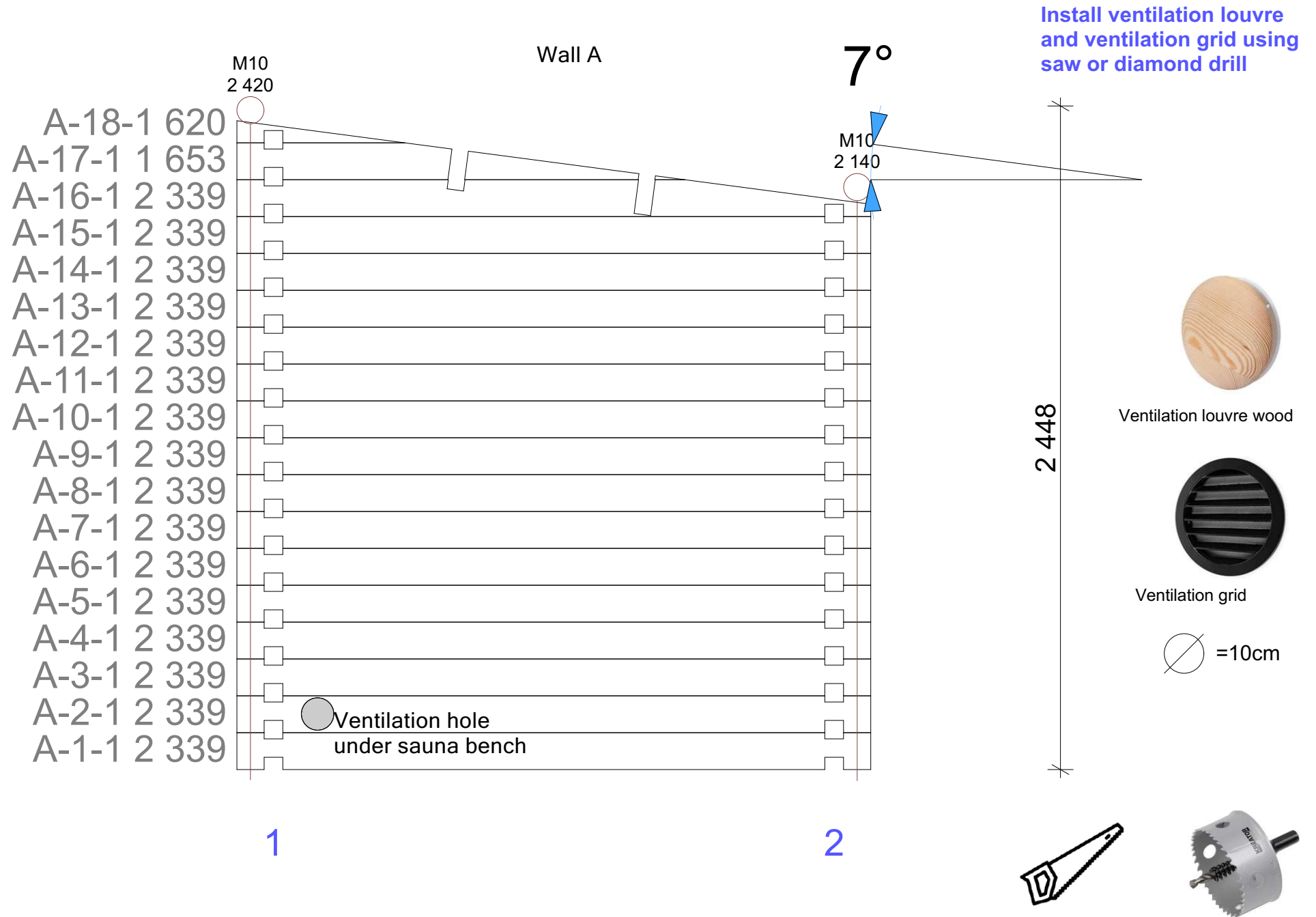
Wall layouts



Wall layouts

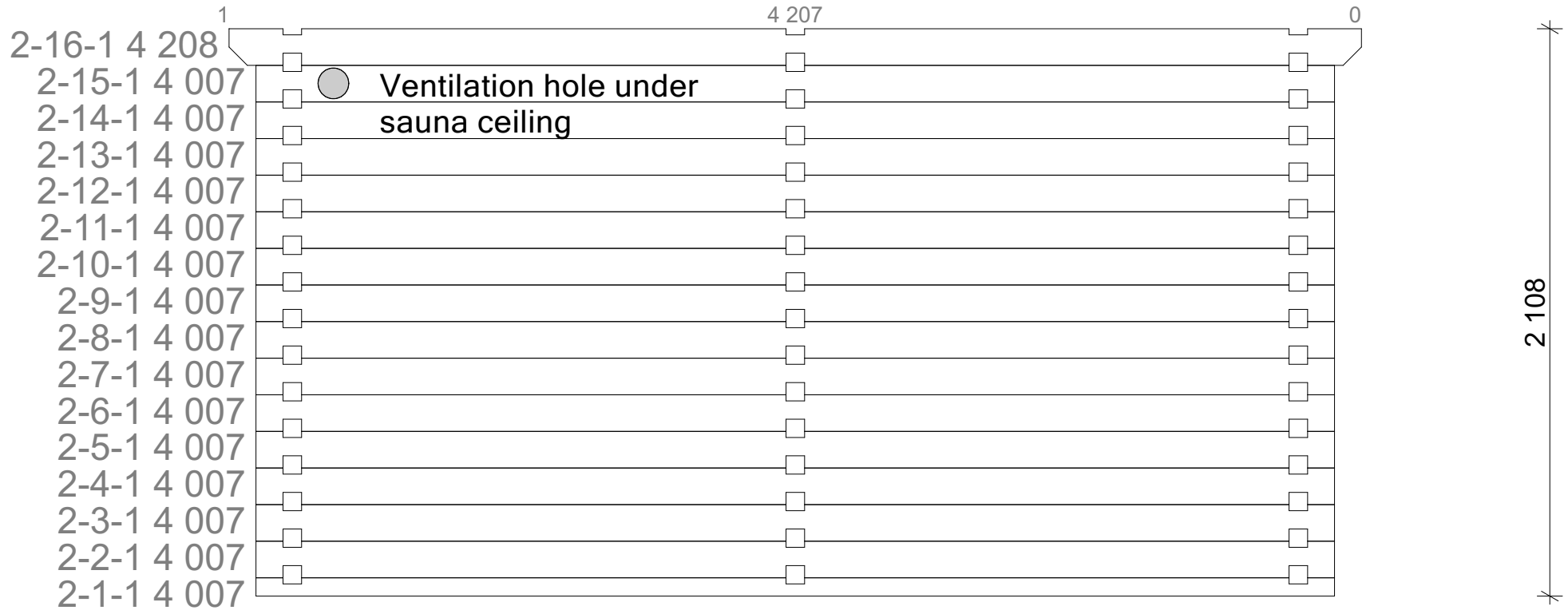


Wall layouts



Wall layouts

Wall 2



A



Ventilation louvre wood



Ventilation grid

B



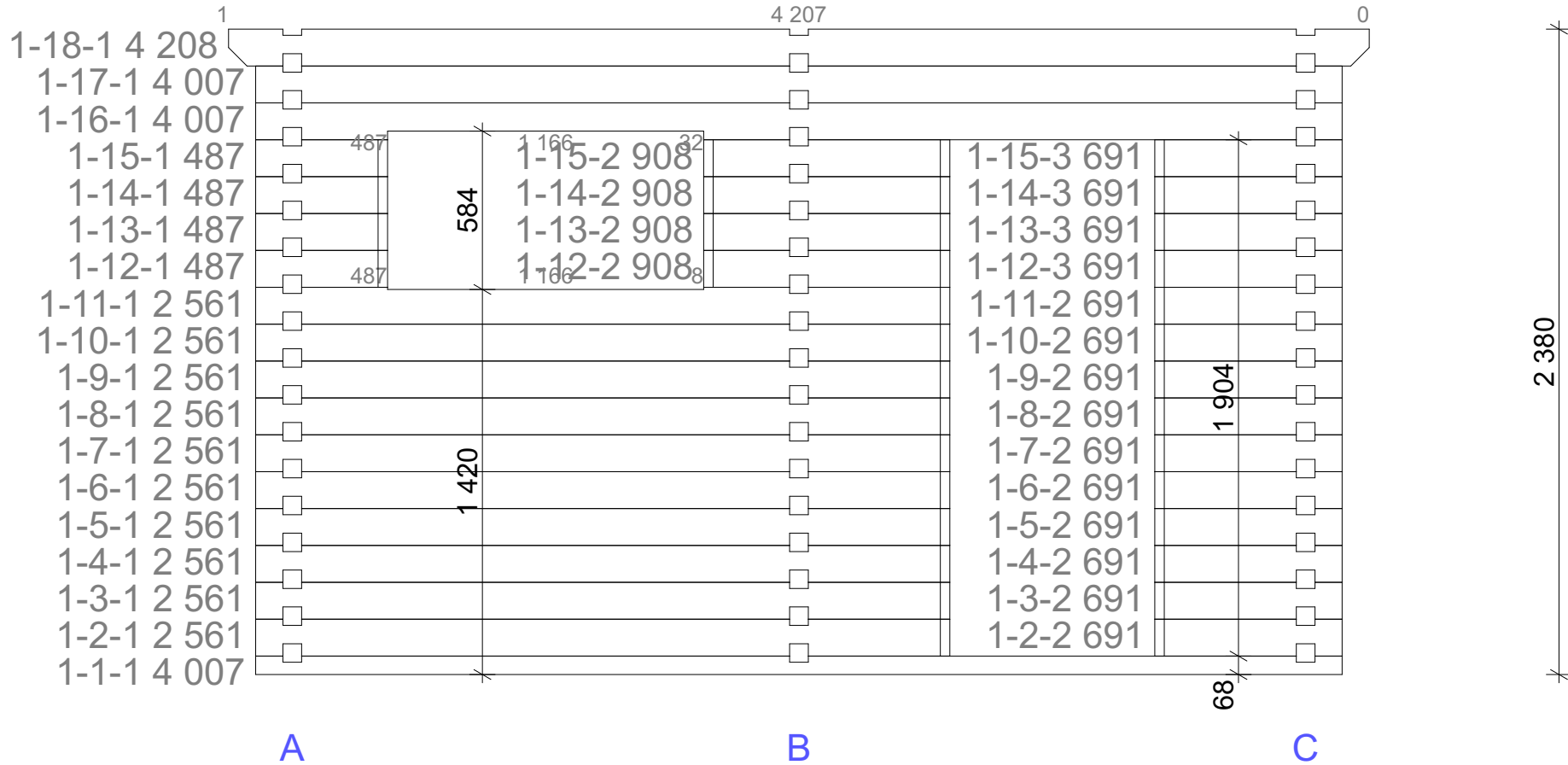
∅ = 10cm

C

Install ventilation louvre and ventilation grid using saw or diamond drill

Wall layouts

Wall 1

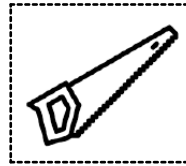


Opening cutting

Opening upper or lower wall log vertical cut is made in site.



Horizontal cut

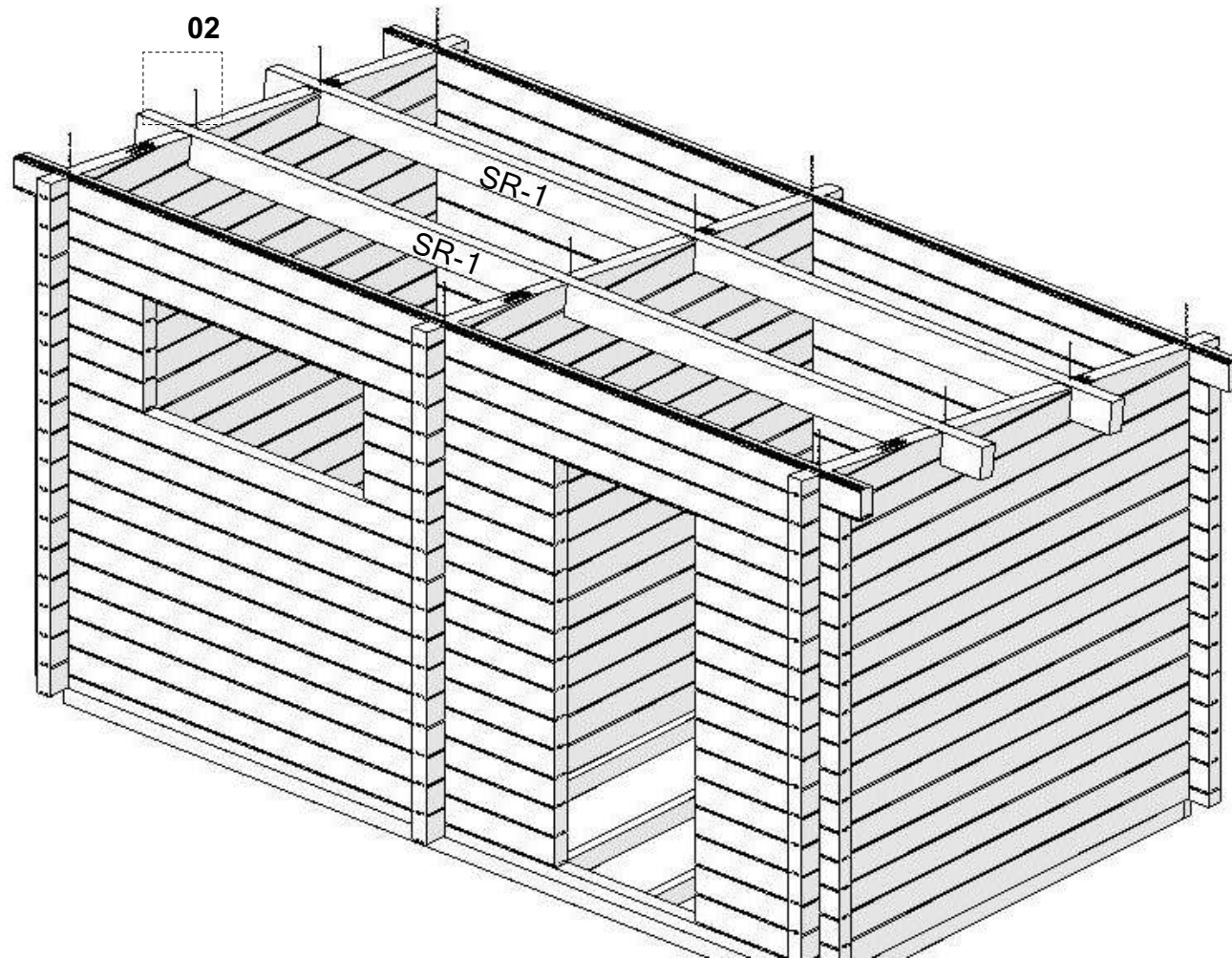


Cut in site



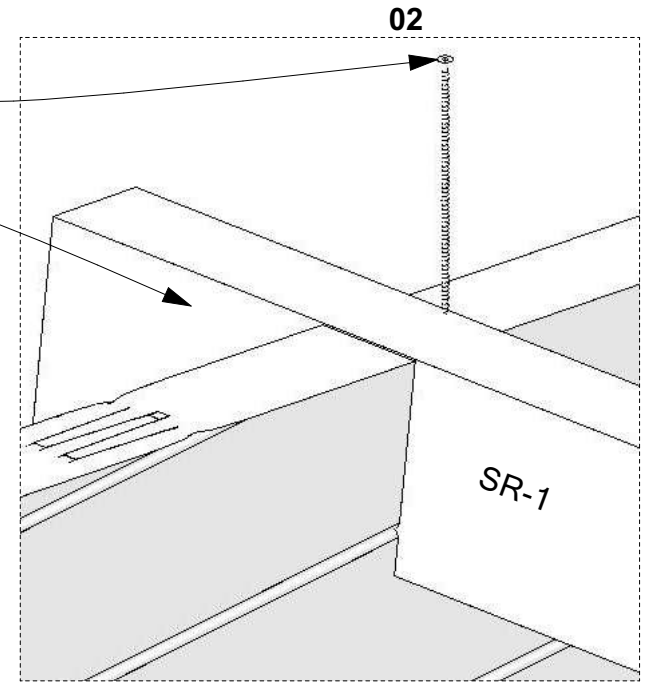
Rafters

Fix roof rafters to log walls with 180mm screws

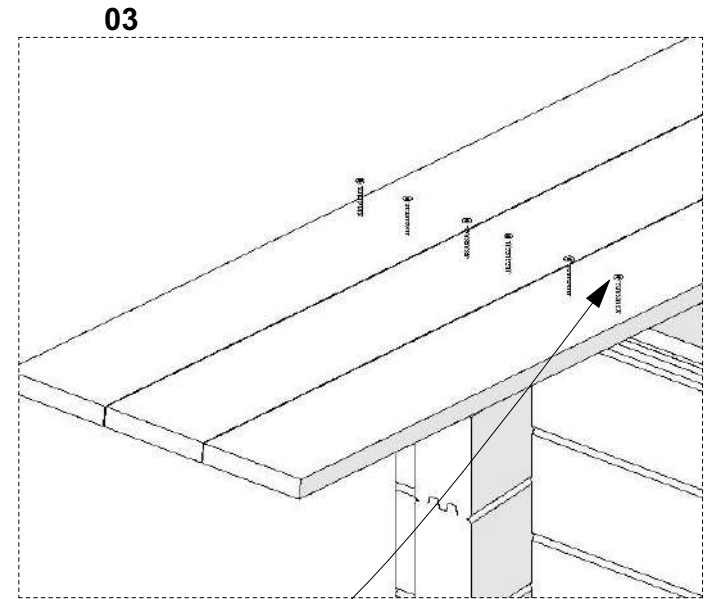
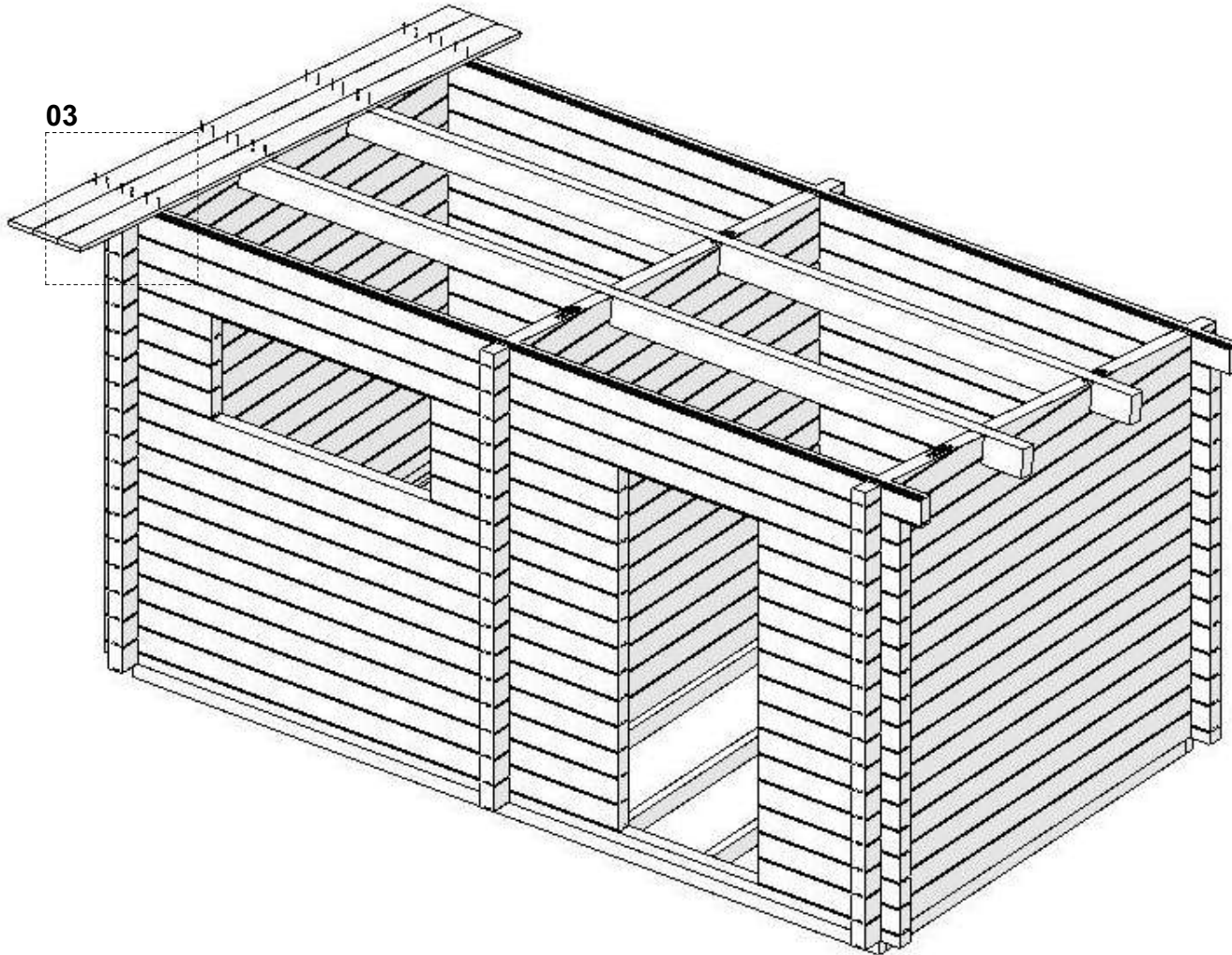


Screw 180mm

Rafter 70x145



Roof boards

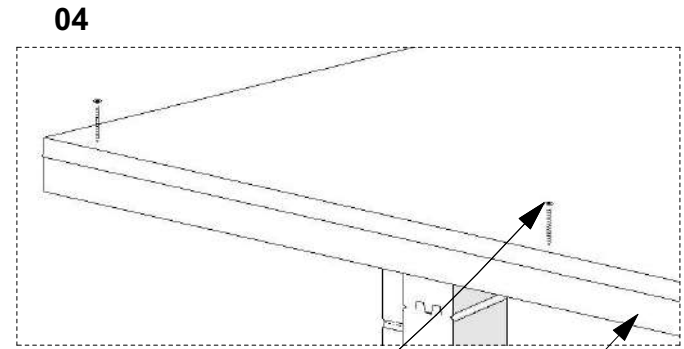
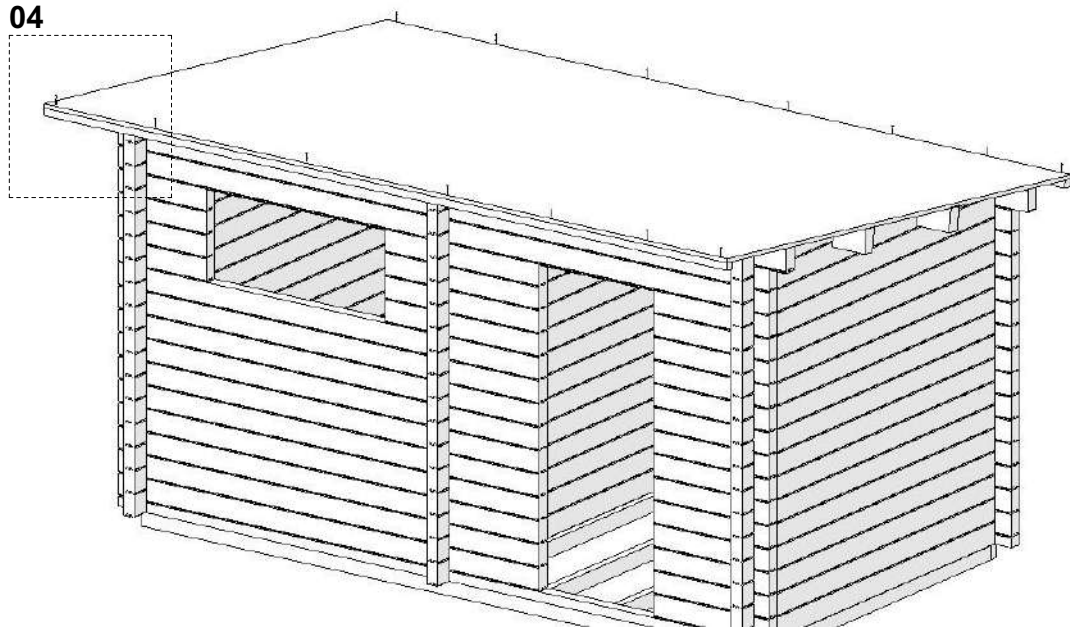


Nails 75mm

*Fix Roof boards to rafters/ wall log gables with 75mm nails. Use hammer (2 nails per connection)



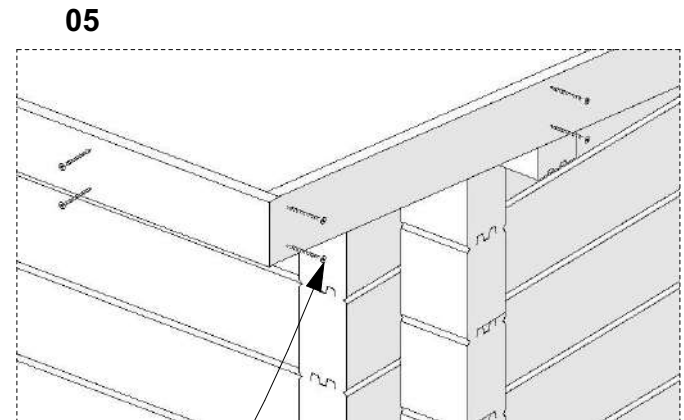
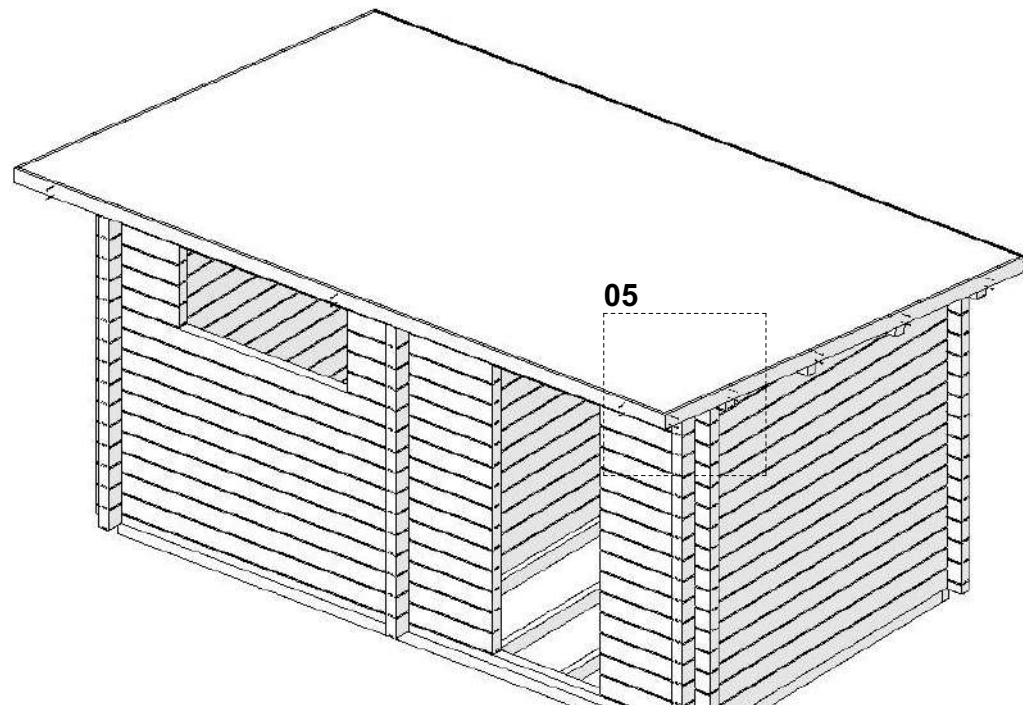
Roof Mouldings



Screw 55mm

Roof edge support 45x45

*Fix roof edge supports to roof board with 55mm screws

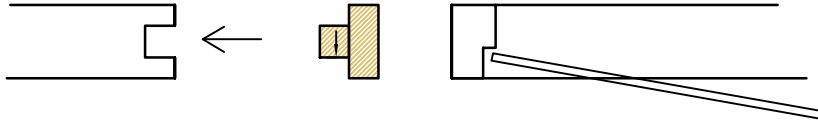


Screw 55mm

*Fix roof mouldings to rafters/ log wall/ edge support with 55mm screws

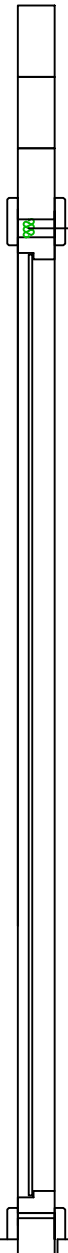
DOOR AND WINDOW

*Insert the T-shape fixing fillet to the gap in wall logs
Fix it with the screws only in lower edge, to allow wall log movements*

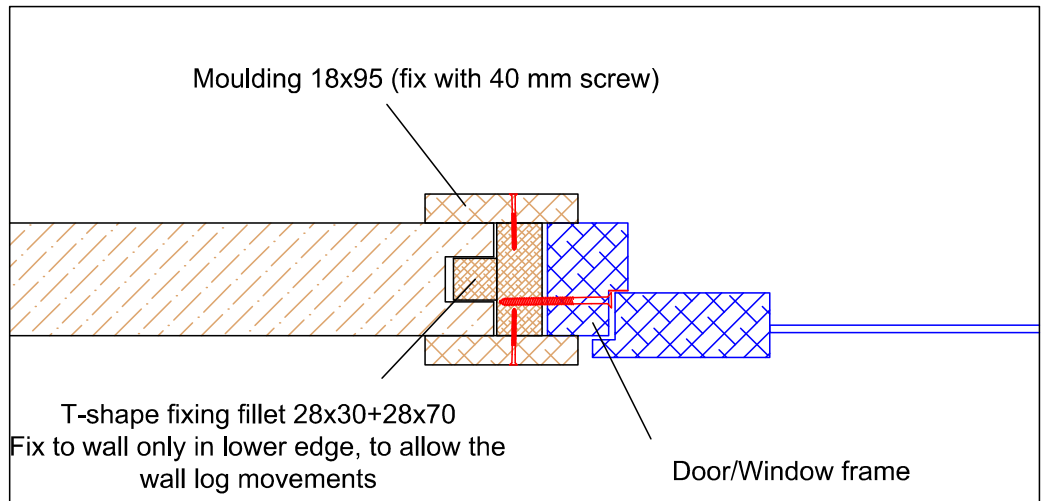


*Leave about 30-40 mm gap above the door and window
for wall log movements.*

If needed, fill the gap with rock wool or foam (not included)



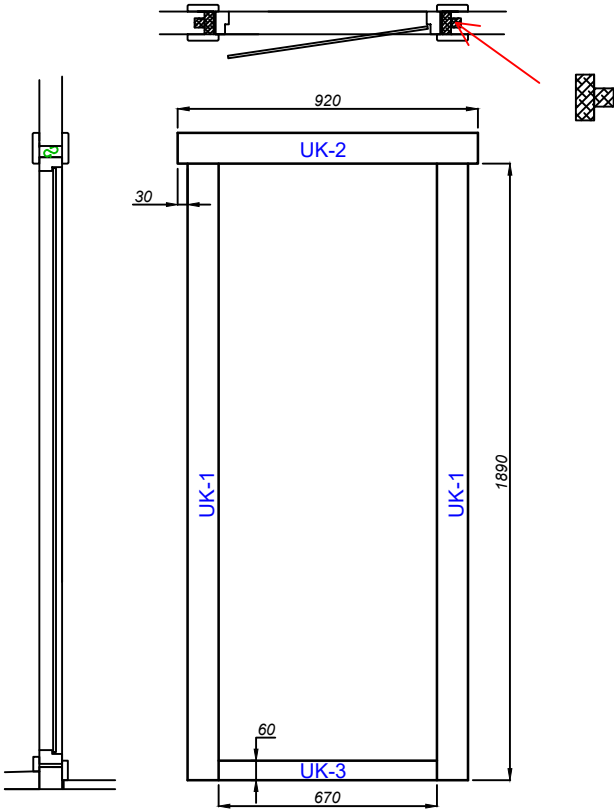
CROSS-SECTION OF FIXING FILLET



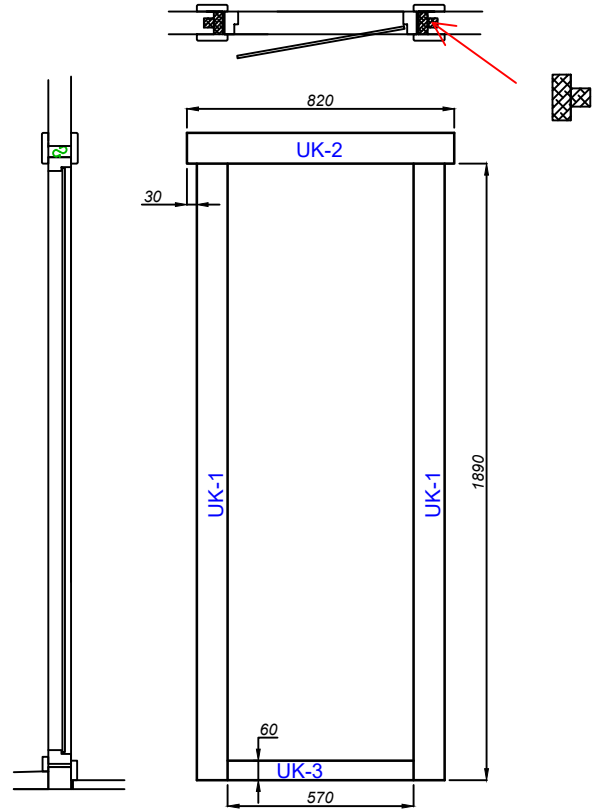
Door and window mouldings

*Fix door and window mouldings with 40mm screws

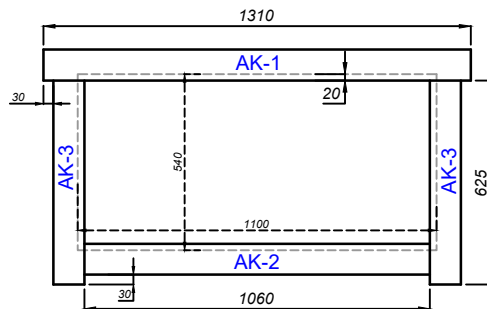
DOOR MOULDINGS OUTSIDE DOOR



DOOR MOULDINGS GLASS DOOR



WINDOW MOULDINGS



Sauna Ceiling

SPU insulation 30mm

Rafter 70x145

Screws 70mm

Ceiling beam 45x45



1. Temporarily install SPU insulation to roof rafter
2. Mark where SPU insulation meets the side wall. Then install 45x45 Ceiling beam to log wall with 70mm screws
3. Do the same thing with other side wall

Sauna Ceiling



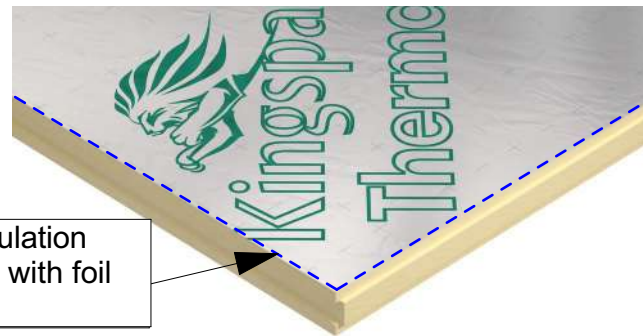
Distance board
15x55

Screws 70mm

4. Install SPU insulation to Roof rafters and ceiling beams with 15x55 ceiling mouldings and 80mm screws



Use foil tape with SPU
insulation

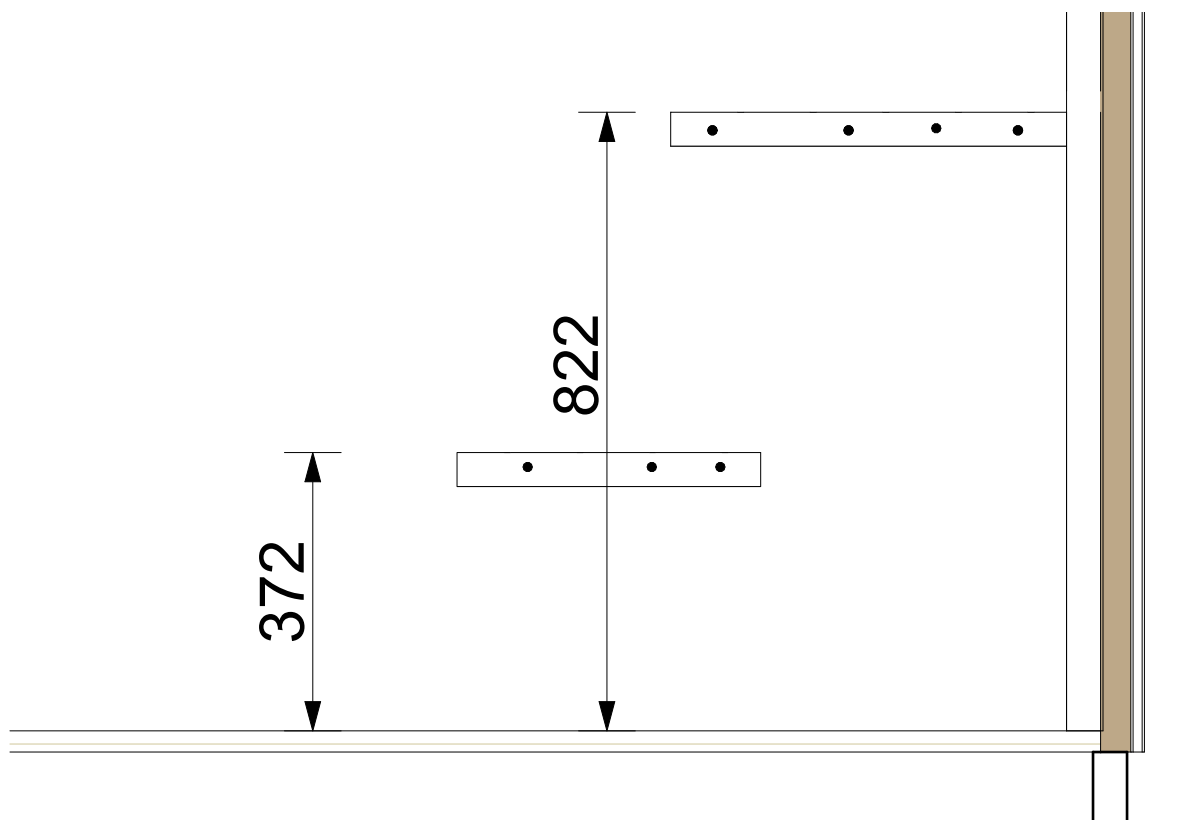
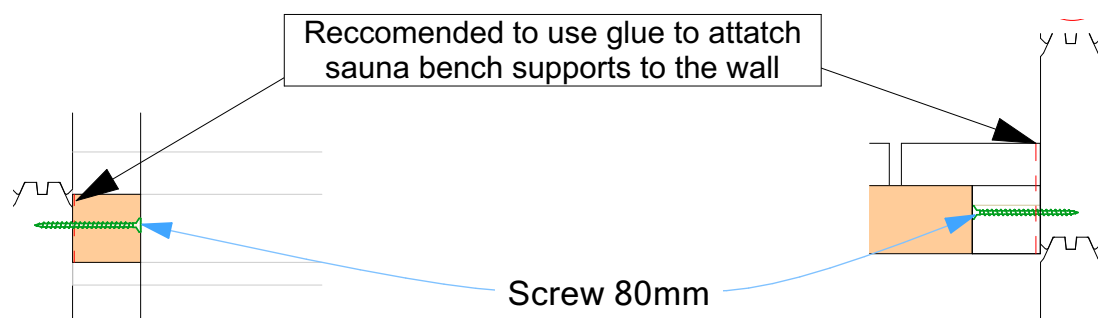
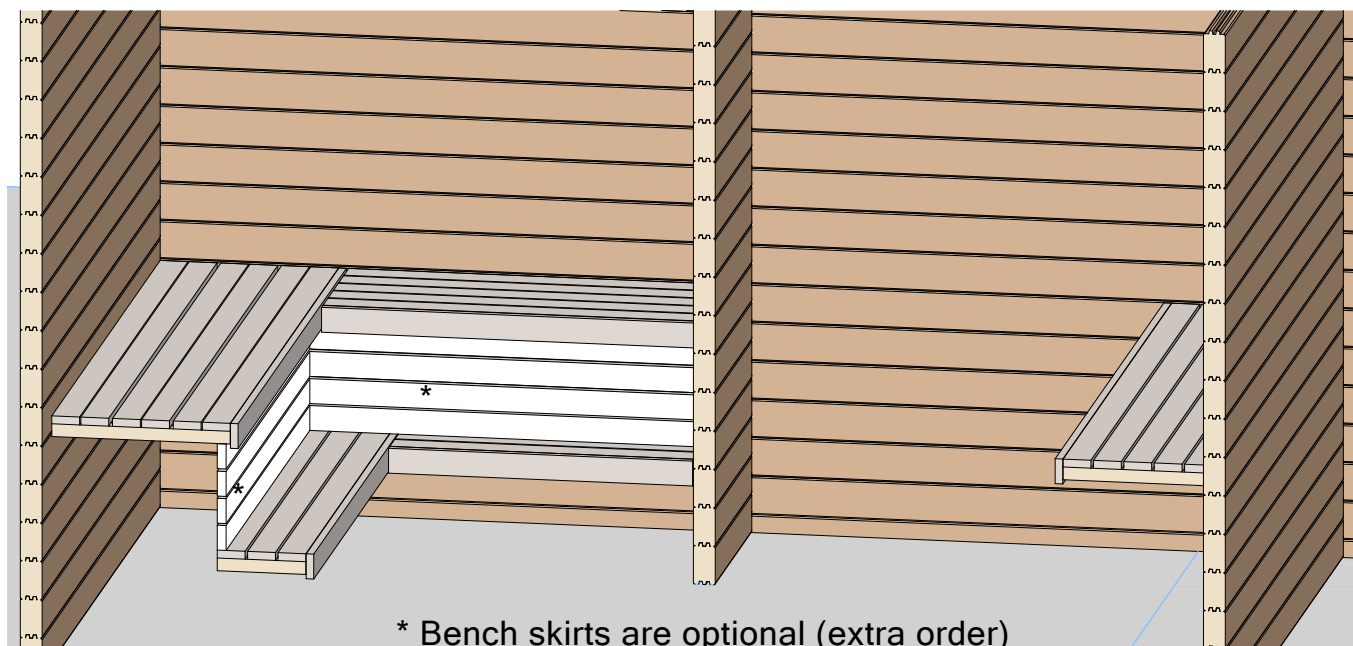


Tape insulation
overlaps with foil
tape



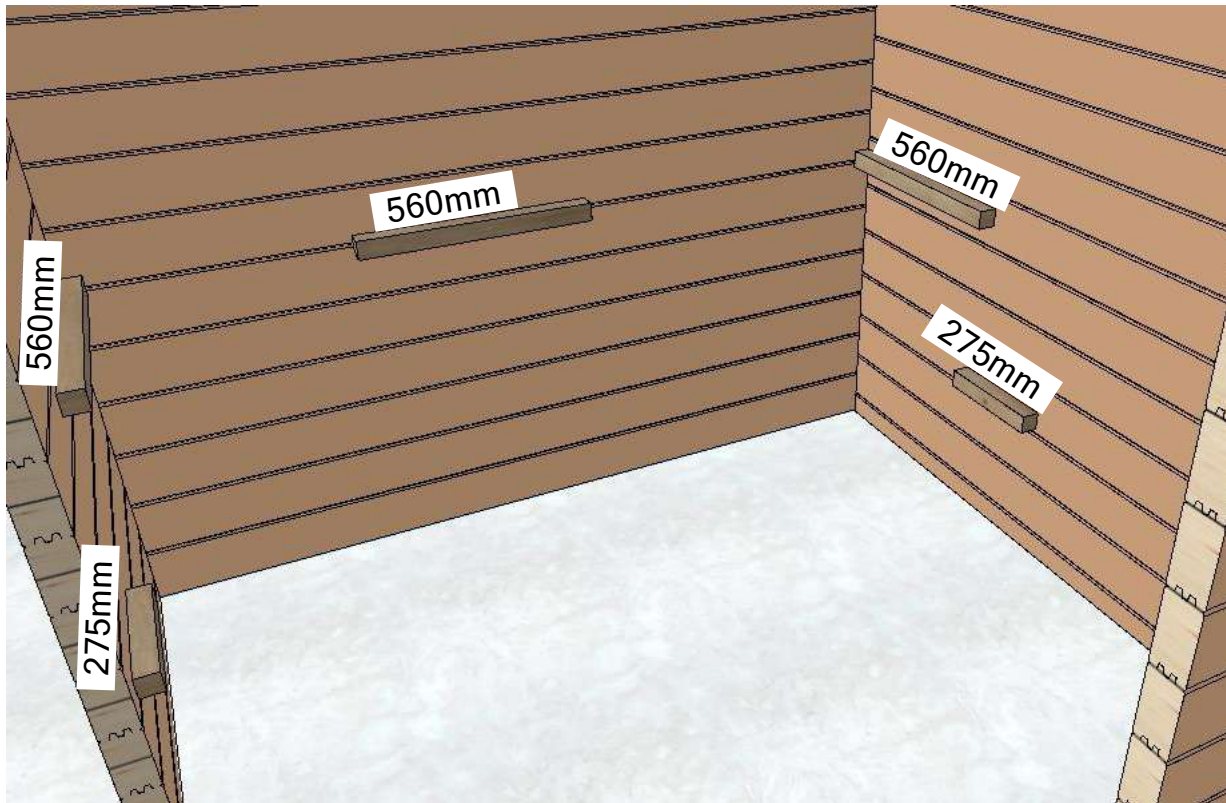
5. Use 40mm nails (1 nail per 1 connection) to install ceiling panels to the distance board, cut the last ceiling board to length
6. Use 40mm nails to install ceiling boards to log wall. (Cut ceiling boards to length)

Sauna benches

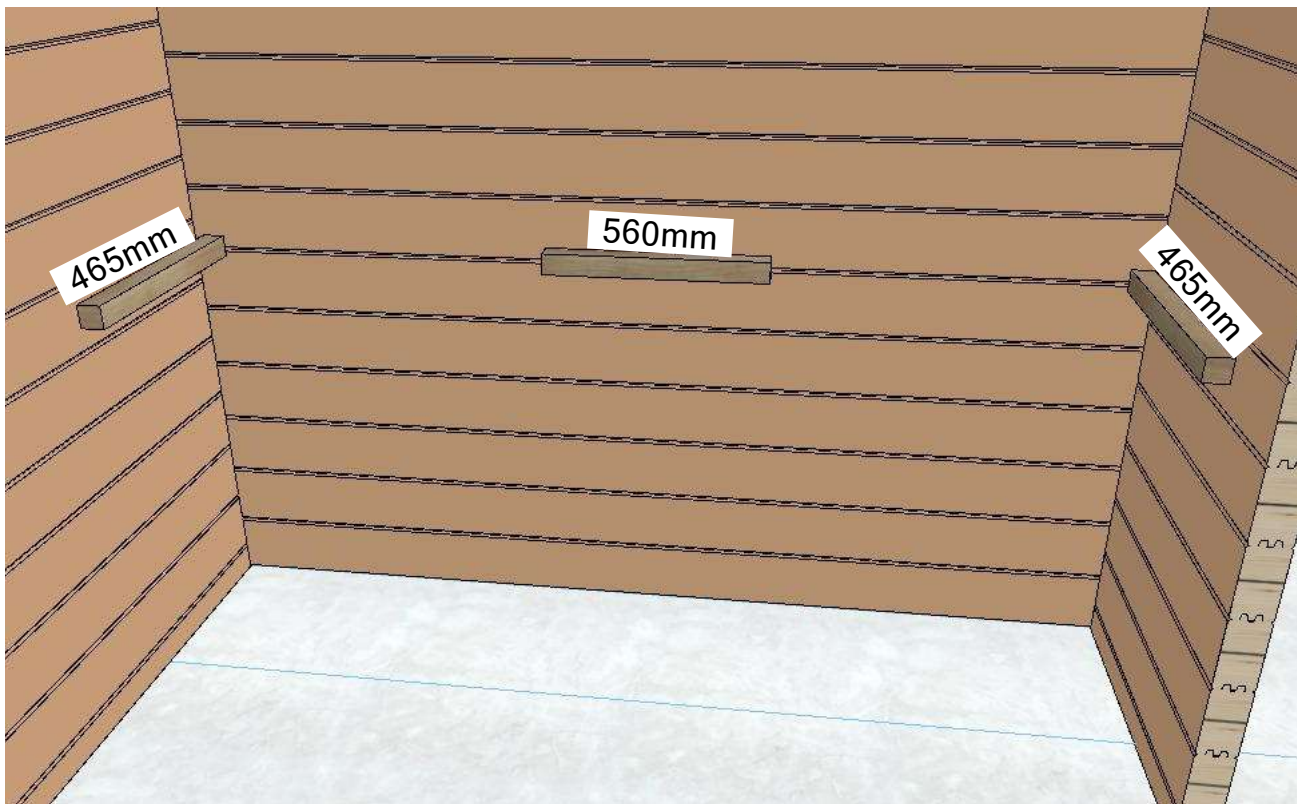


Sauna benches

*Fix sauna room bench supports to log wall with 80mm screws

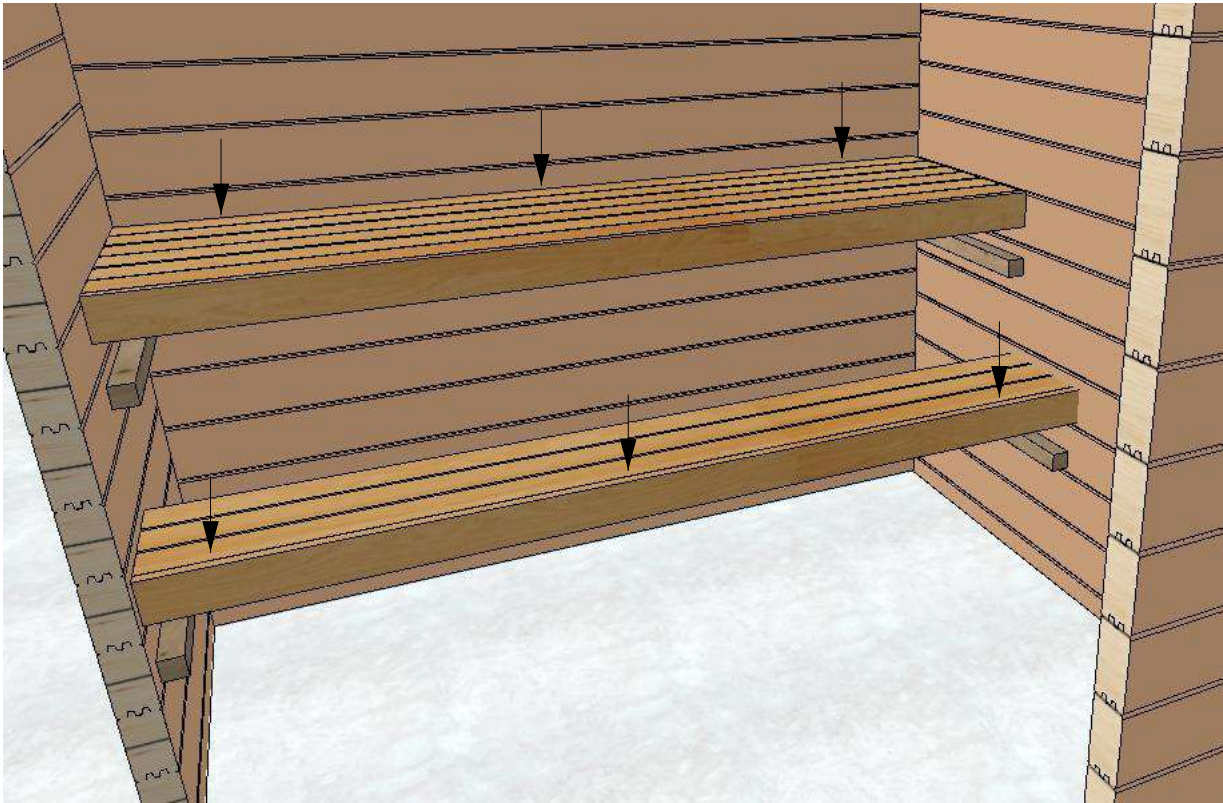


*Fix front room bench supports to log wall with 80mm screws

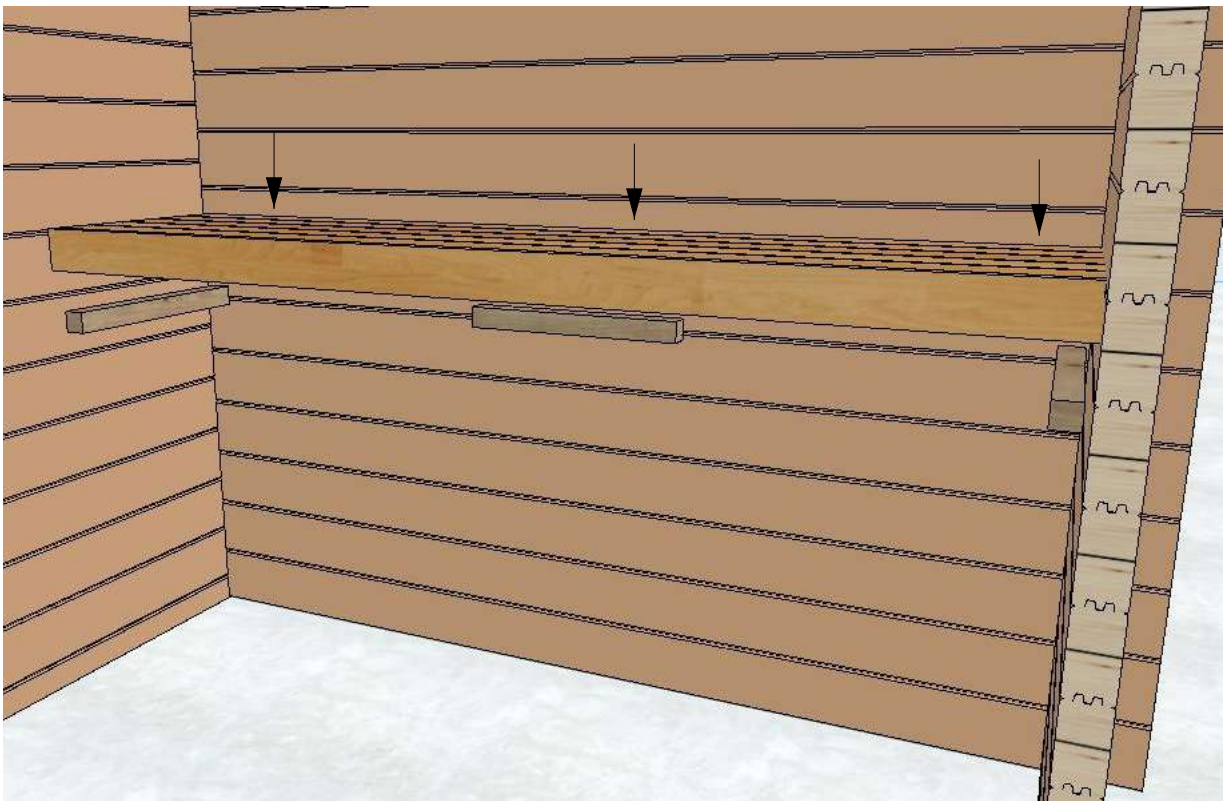


Sauna benches

Lift sauna benches on top of supports. Fix supports to sauna benches (Do not screw through the sauna bench from underneath)



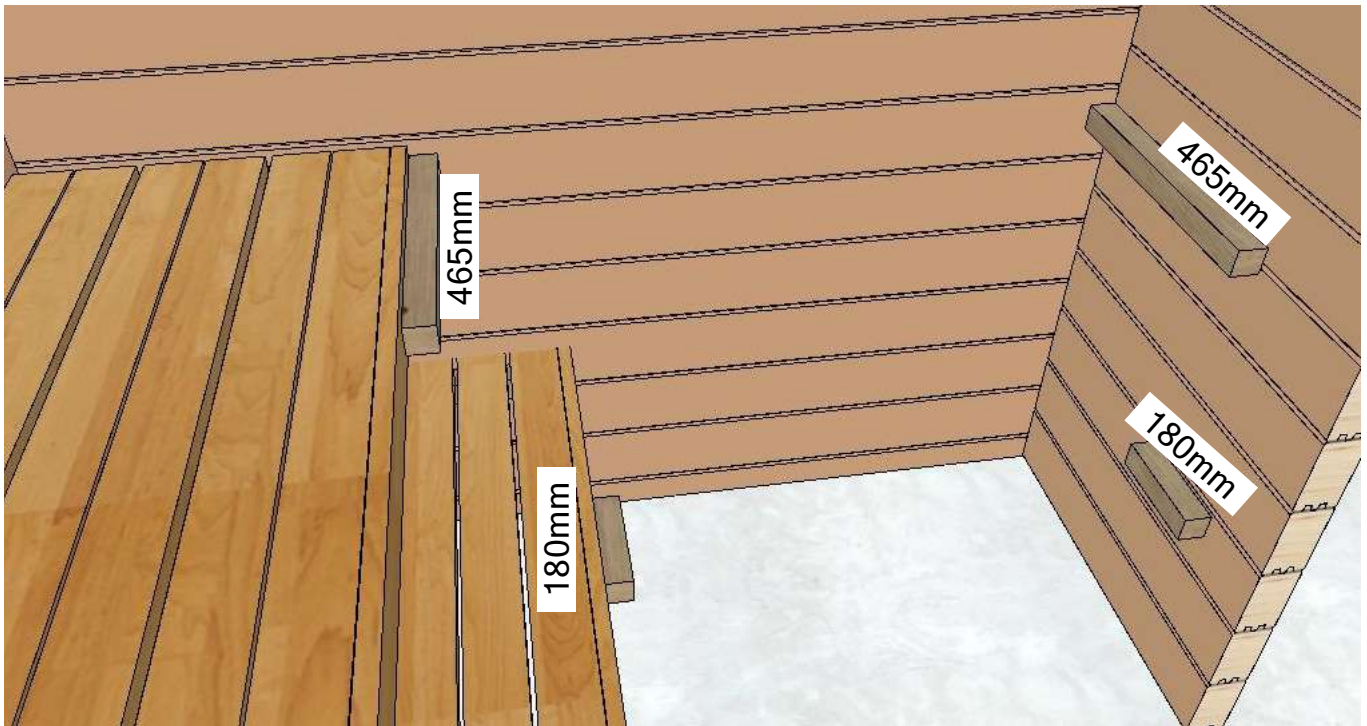
Lift sauna benches on top of supports. Fix supports to sauna benches (Do not screw through the sauna bench from underneath)



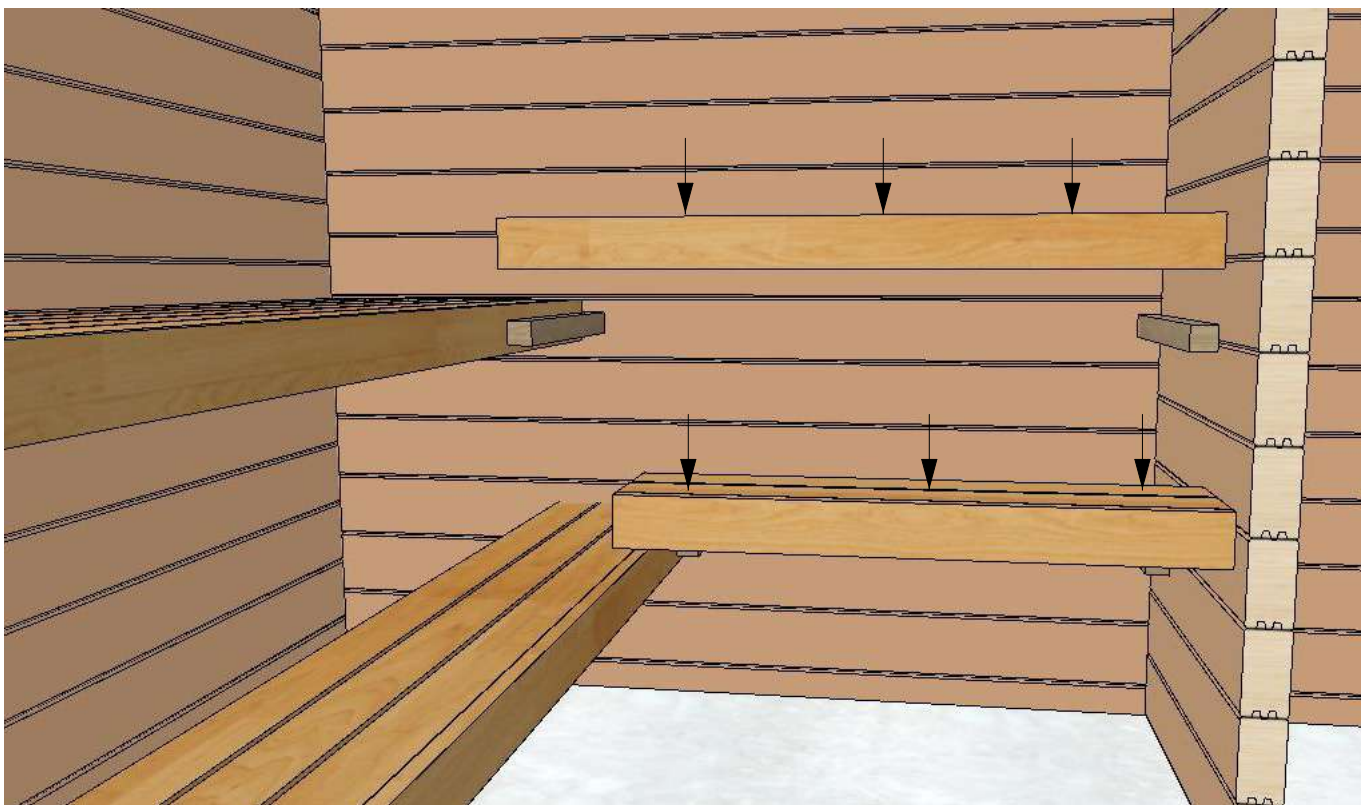
(*If delivery package includes sauna skirts, then install upper benches after sauna skirts.)

Sauna benches

*Fix sauna room bench supports to log wall/ other sauna bench with 70mm screws

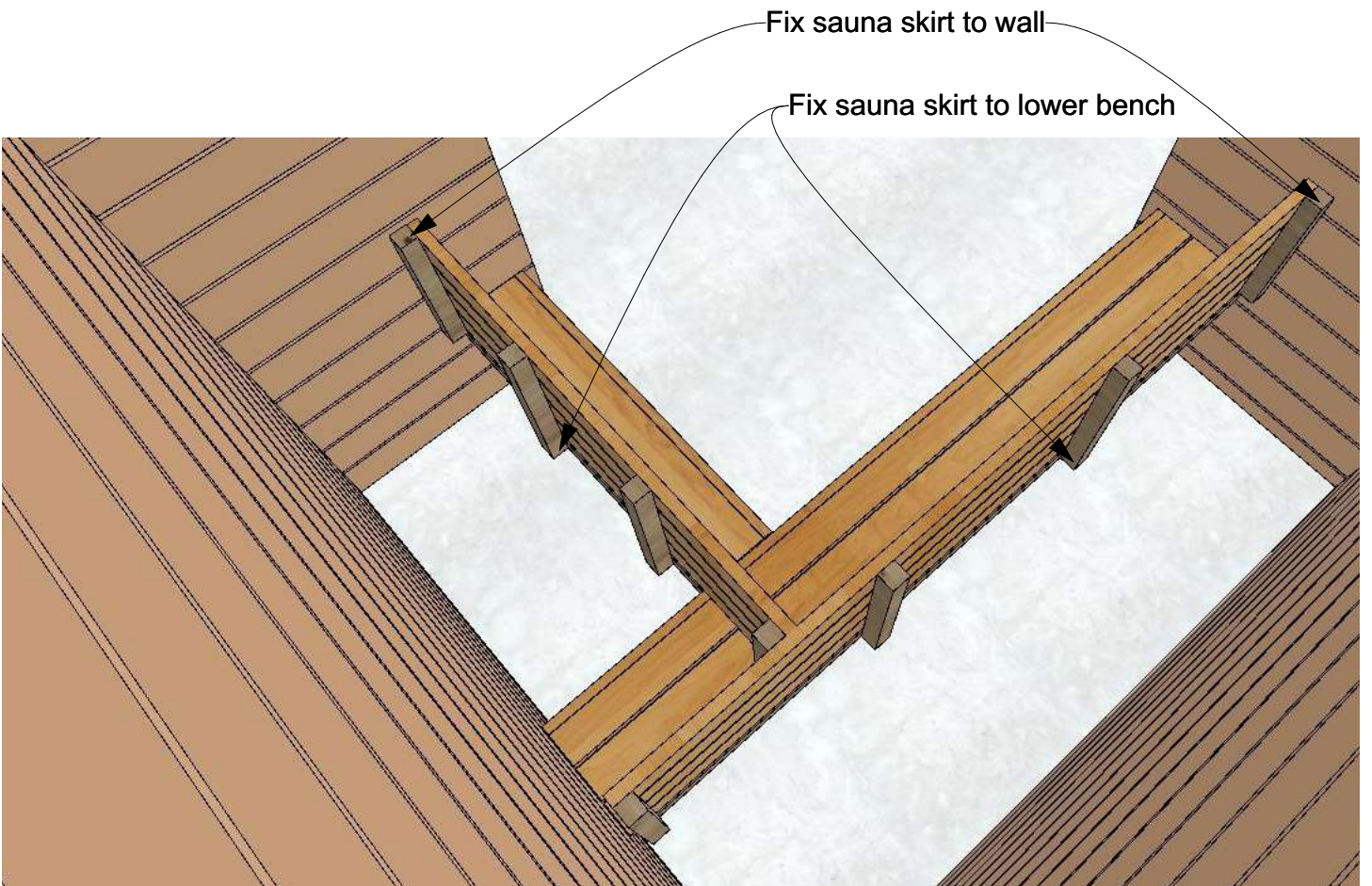


Lift sauna benches on top of supports. Fix supports to sauna benches (Do not screw through the sauna bench from underneath)



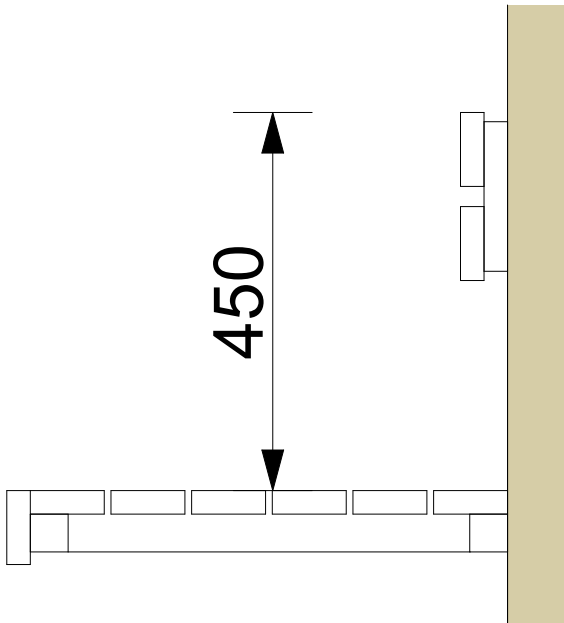
*Optional bench skirts

*Fix bench skirts to log wall/ other bench/ lower bench skirt with 80mm screws

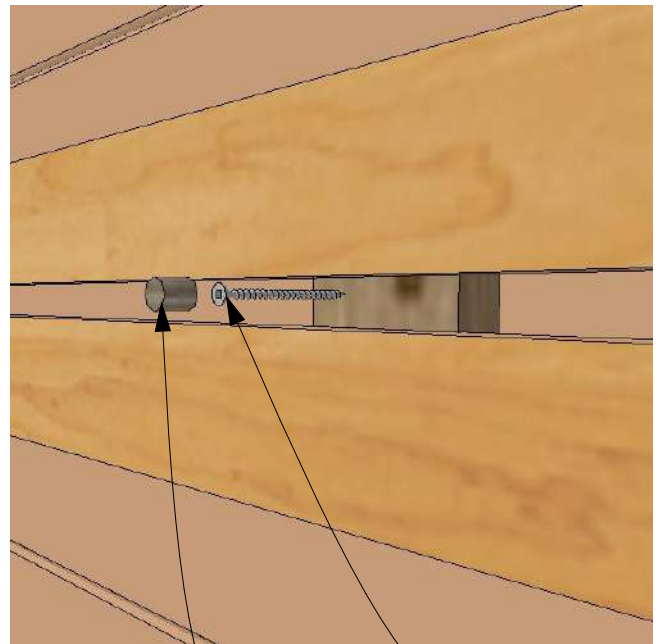


*Optional back rests

Install back rest approximately 450mm higher than top bench



Cover screw holes with cover cap



Cover cap
Screw 70mm

