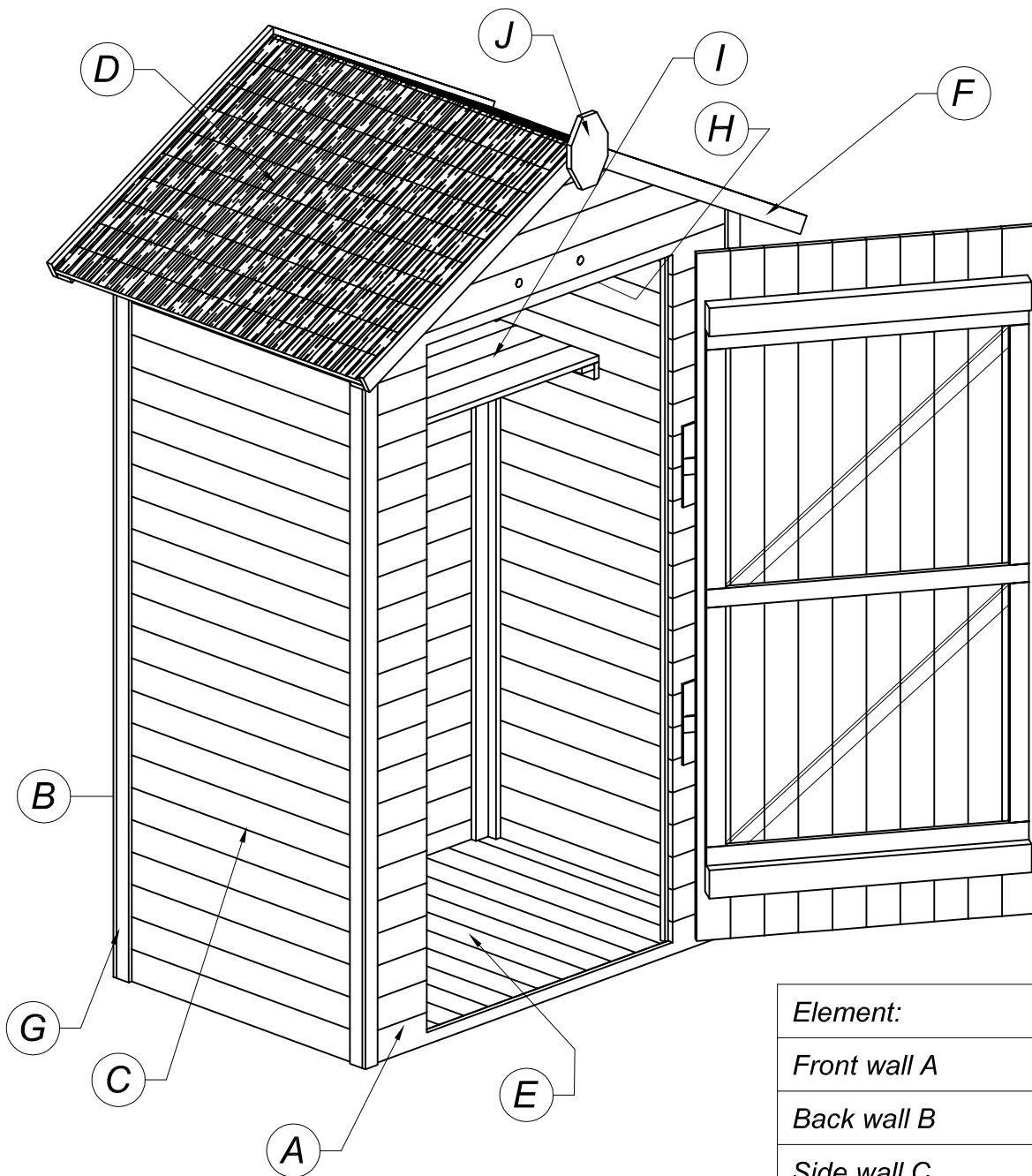


# *Garden Cupboard Drenthe*



Element:	Measurement:
Front wall A	2120 x 1200
Back wall B	2120 x 1200
Side wall C	1825 x 770
Roof D	1000 x 810
Floor E	1170 x 770
Wind brace F	825 x 45 x 16
Corner slat G	1820 x 40 x 10
Small ledge H	1170 x 200
Big ledge I	1170 x 360
Ornament J	220 x 95 x 15

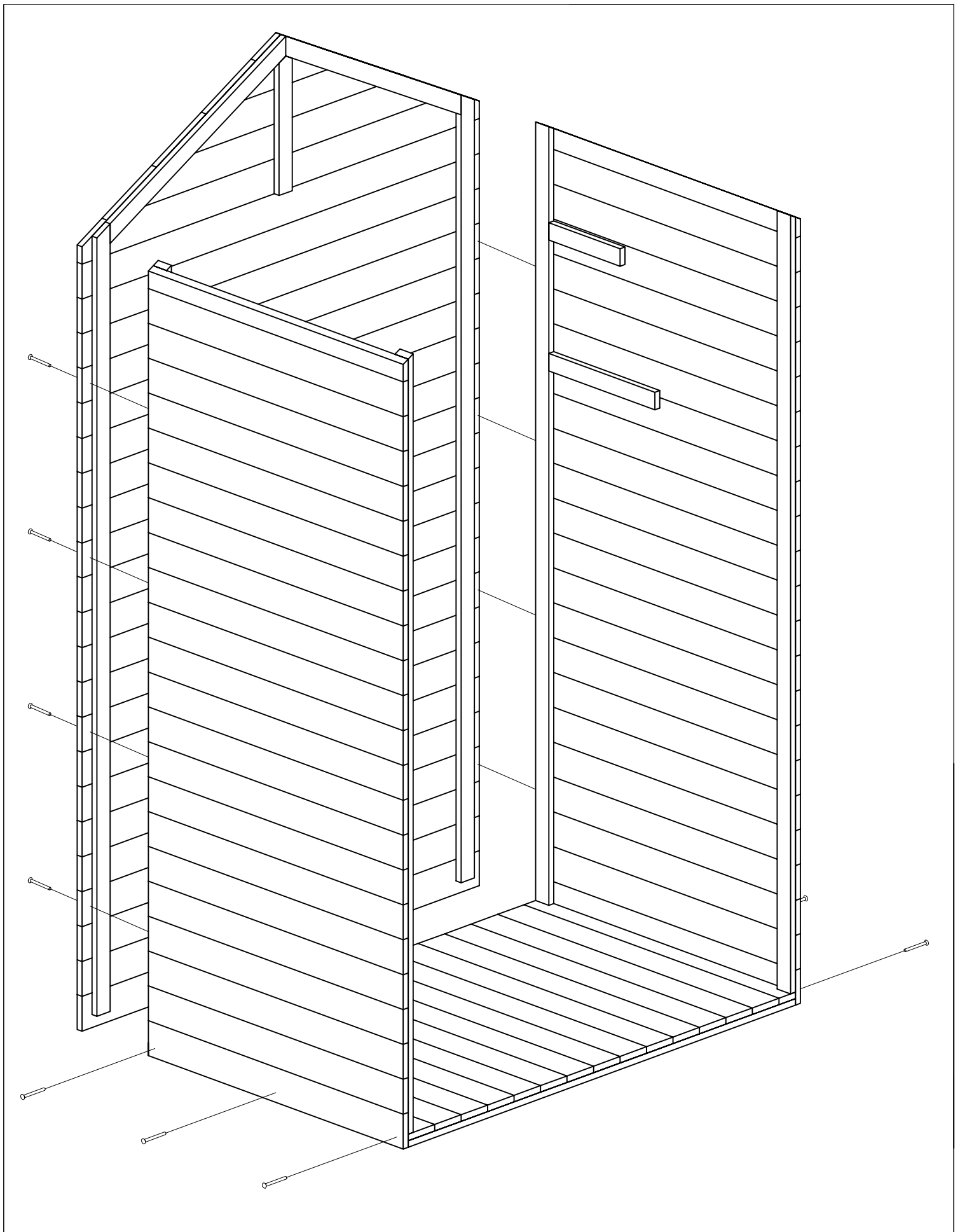
Assembling parts		
Element:		Quant.
Wood screw	Ø4 x 40	25
Wood screw	Ø3 x 30	49
Wood screw	Ø3 x 15	8
Door lock		1

Article: Garden Cupboard Drenthe

Article Nr. : 29.0002

Elements:	A	B	C	D	E	F	G	H	I	J
	1	1	2	2	1	4	8	1	1	2

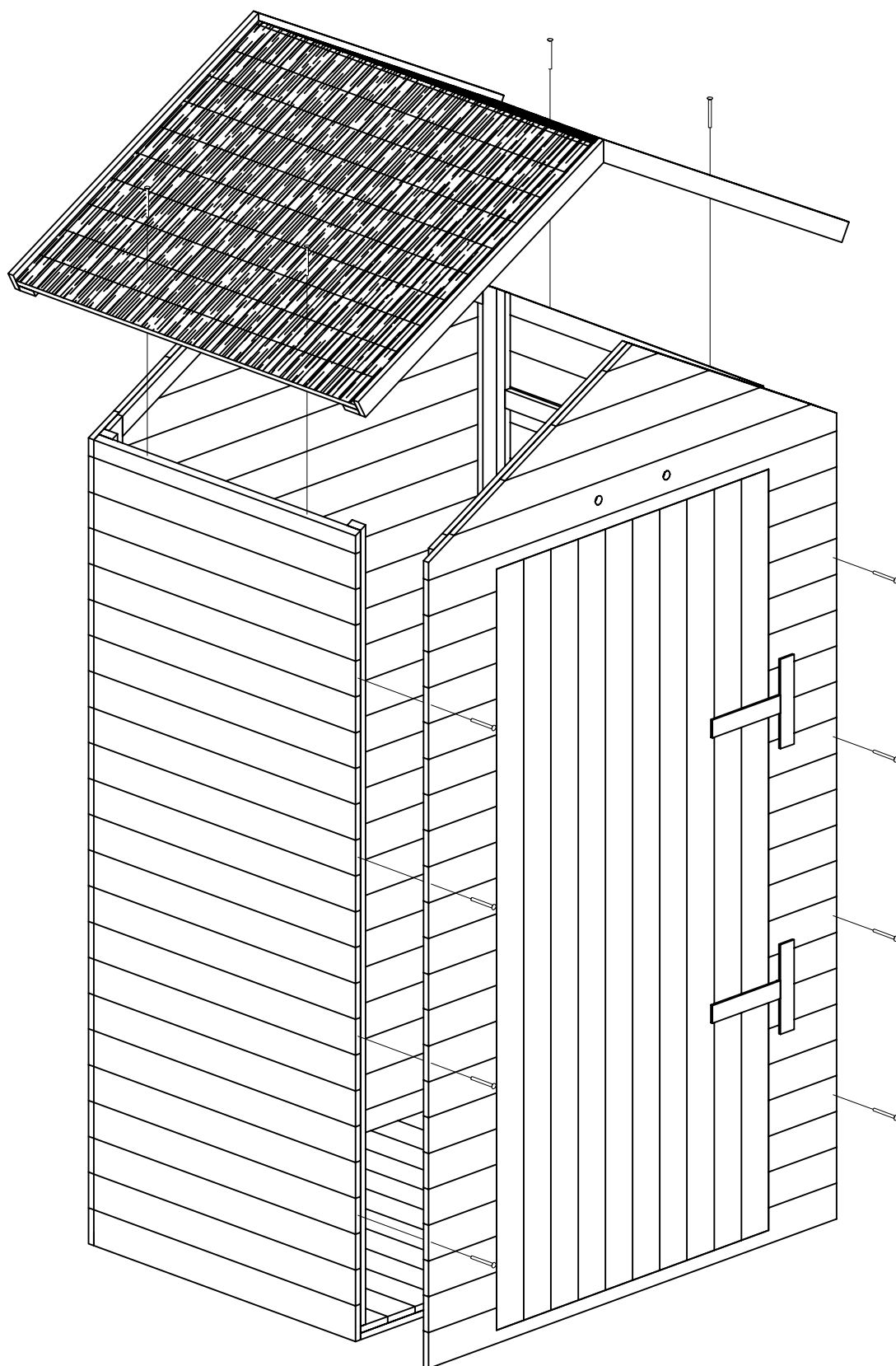




Article: Garden Cupboard Drenthe - Building plan - step 1

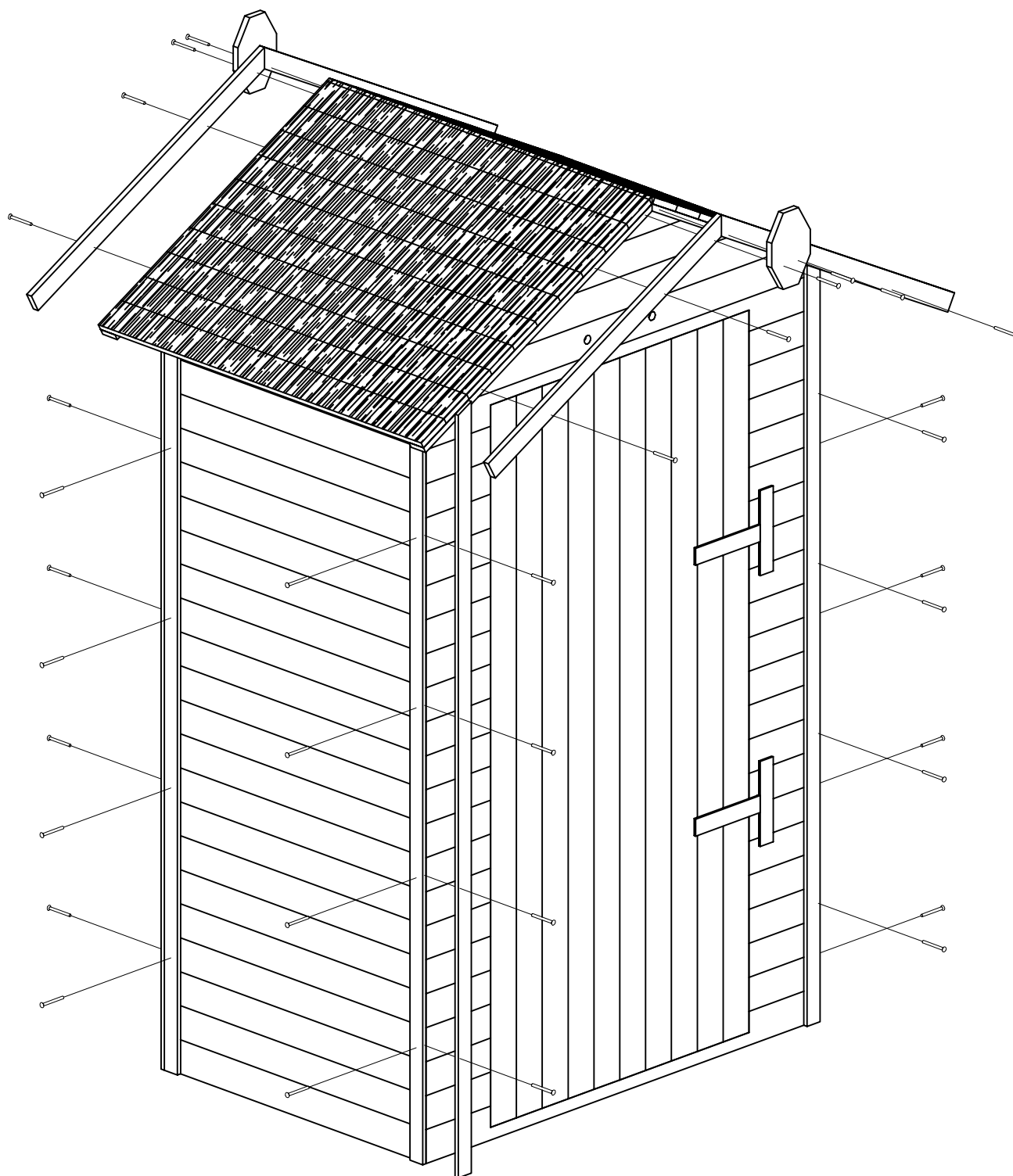
Article Nr. : 29.0002





Article: Garden Cupboard Drenthe - Building plan - step 2

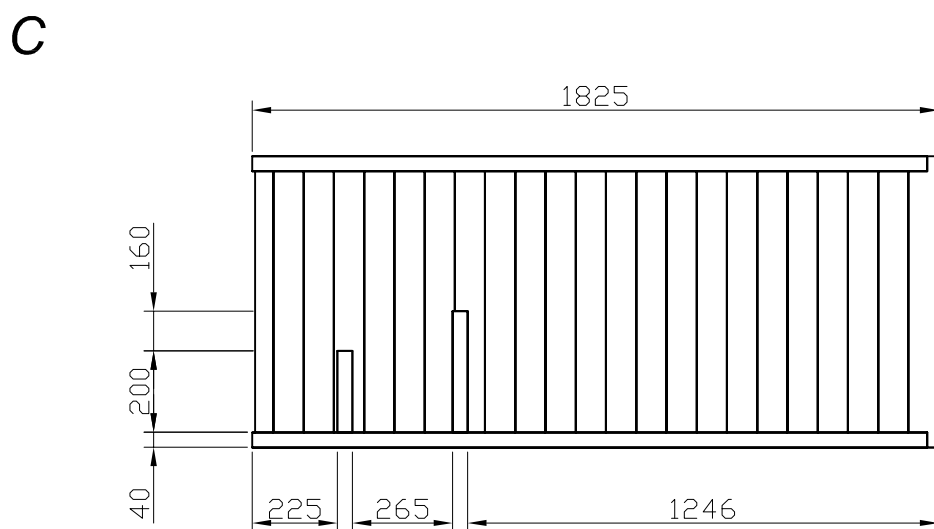
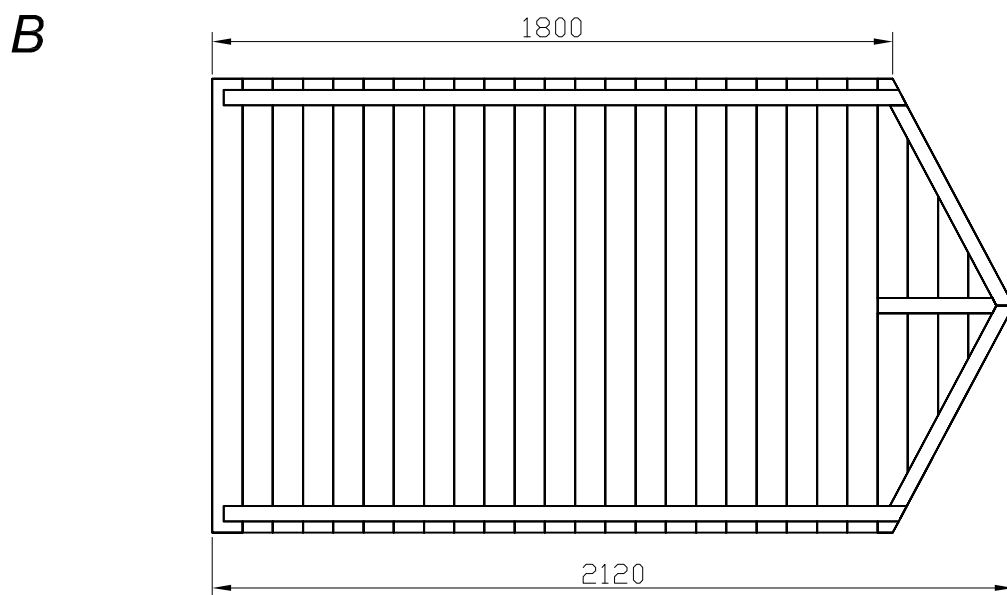
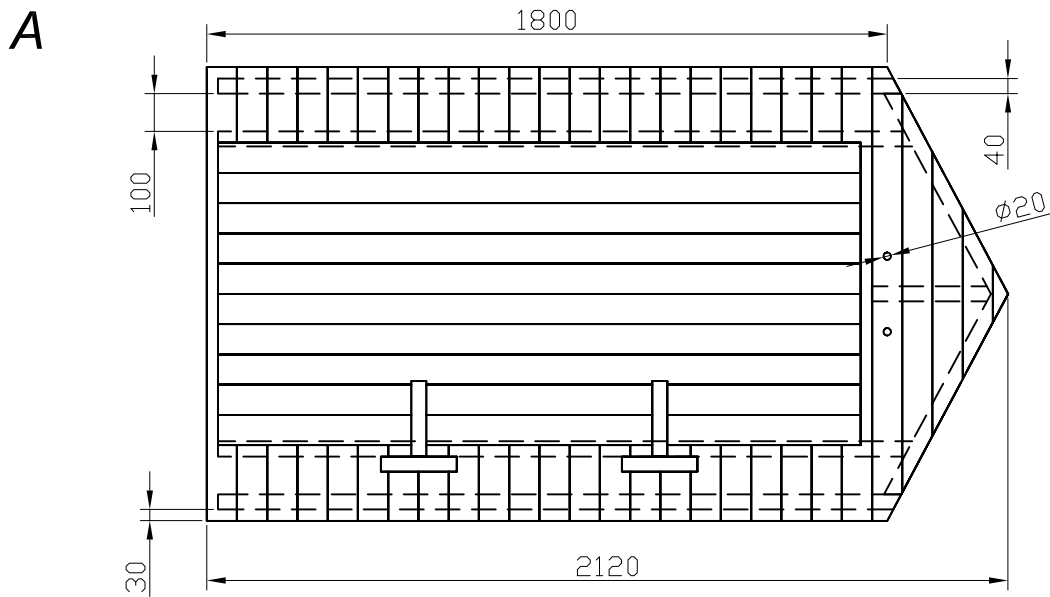
Article Nr. : 29.0002



Article: Garden Cupboard Drenthe - Building plan - step 3

Article Nr. : 29.0002



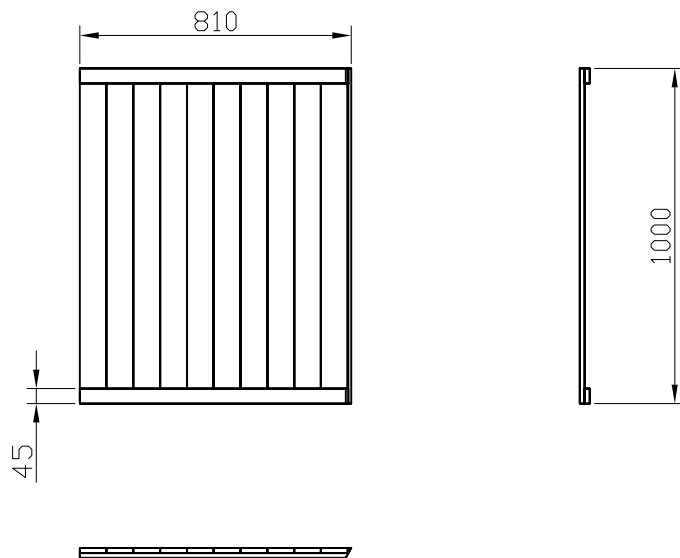


Article: Garden Cupboard Drenthe - Elements A, B and C

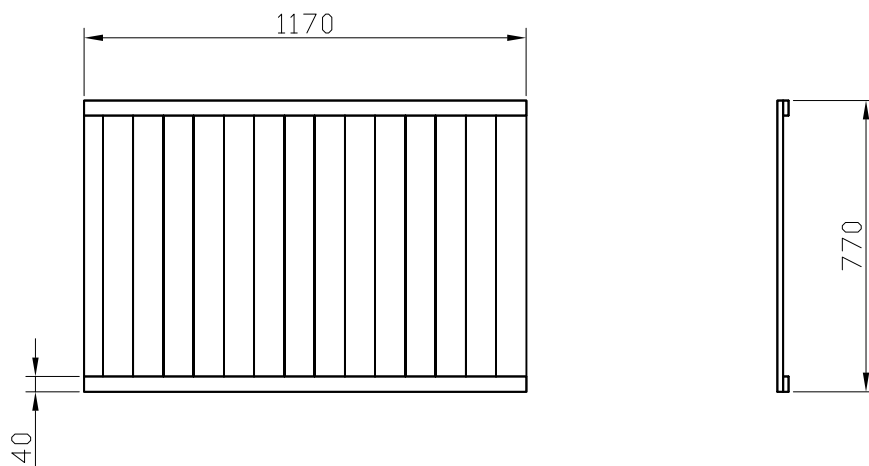
Article Nr. : 29.0002



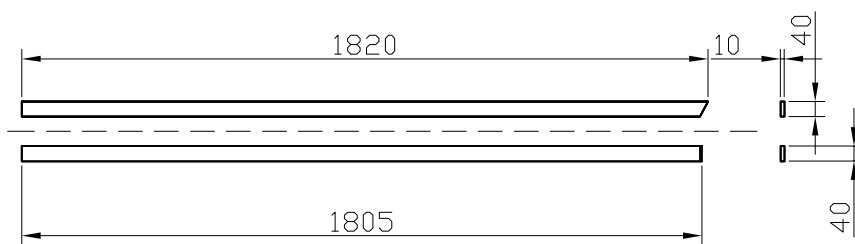
D



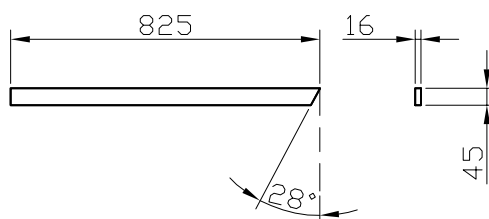
E



G



F

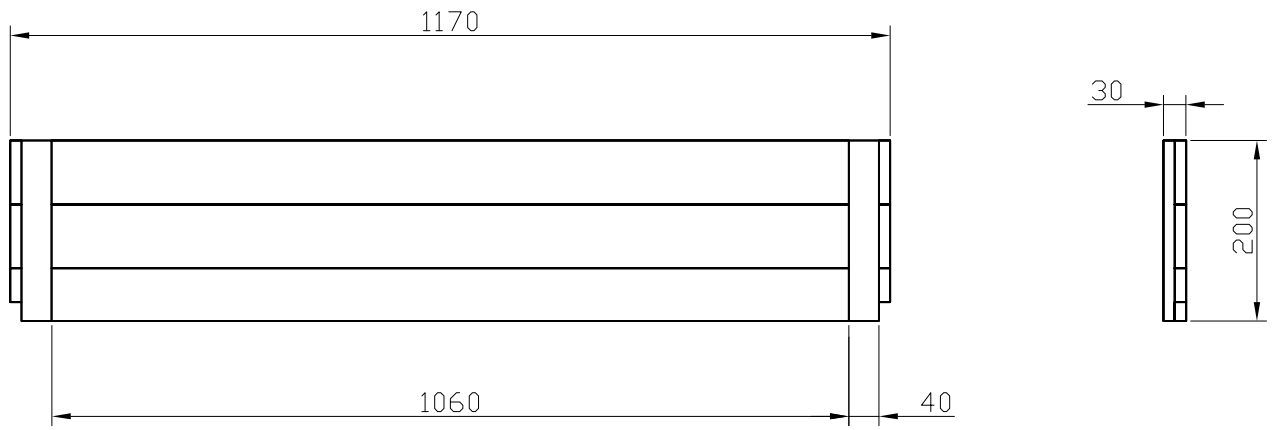


Article: Garden Cupboard Drenthe - Elements D, E, F, G

Article Nr. : 29.0002



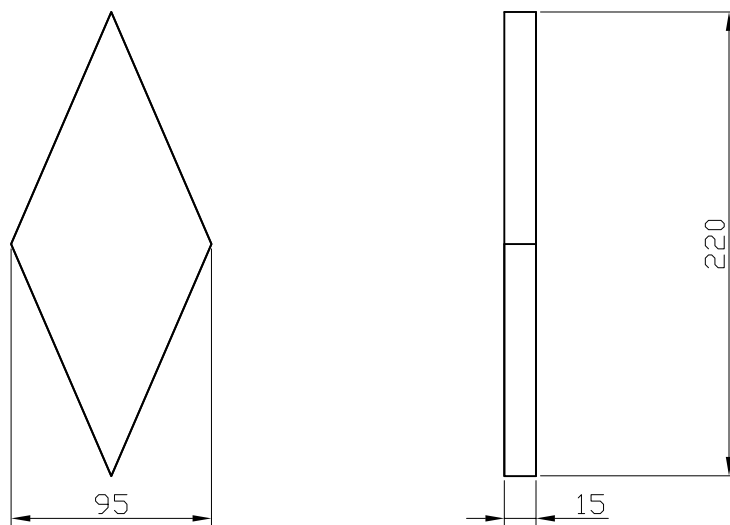
**H**



**I**



**J**



Article: Garden Cupboard Drenthe - Elements H, I and J

Article Nr. : 29.0002