

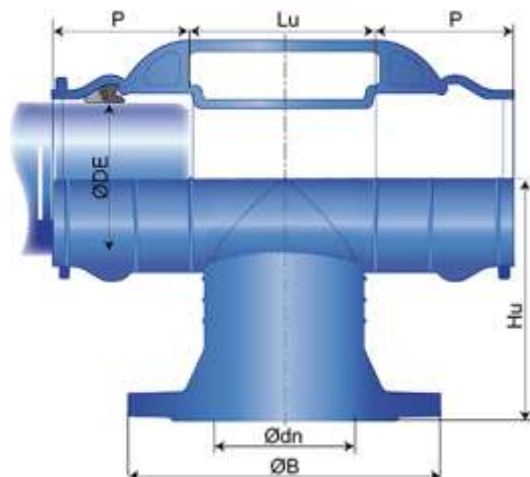
blutop

PITNÁ VODA

DN/OD 75 až 160

PAM
SAINT-GOBAIN

01/06/2022

EBLRE21BLT302**BLUTOP Hrdlová tvarovka s přírubovou odbočkou (A)**

DN/OD	Ø DE	Ø dn	P	Lu	Hu	Ø B PN10-16	Ø B PN25	Hmotnost PN10-16	Hmotnost PN25	Reference PN10-16	Reference PN25
mm	mm	mm	mm	mm	mm	mm	mm	kg	kg		
75	75X40	40	87.0	60.0	130.0	150.0	150.0	5.80	5.80	KXL75TD1A	KXL75TD1A
75	75X60	60	87.0	85.0	140.0	175.0	175.0	7.80	7.10	KXL75TD1C	KXL75TD3C
75	75X65	65	87.0	85.0	140.0	185.0	185.0	8.20	7.50	KXL75TD1D	KXL75TD3D
90	90X40	40	92.5	65.0	135.0	150.0	150.0	6.80	6.80	KXL90TD1A	KXL90TD1A
90	90X60	60	92.5	90.0	155.0	175.0	175.0	8.60	8.40	KXL90TD1C	KXL90TD3C
90	90X65	65	92.5	90.0	160.0	185.0	185.0	8.70	8.70	KXL90TD1D	KXL90TD3D
90	90X80	80	92.5	105.0	160.0	200.0	200.0	9.40	9.40	KXL90TD1E	KXL90TD1E
110	110X40	40	99.0	65.0	145.0	150.0	150.0	7.60	7.60	KXM11TD1A	KXM11TD1A
110	110X60	60	99.0	90.0	165.0	175.0	175.0	9.40	9.50	KXM11TD1C	KXM11TD3C
110	110X65	65	99.0	90.0	160.0	185.0	185.0	9.50	9.80	KXM11TD1D	KXM11TD3D
110	110X80	80	99.0	105.0	170.0	200.0	200.0	11.00	11.00	KXM11TD1E	KXM11TD1E
110	110X100	100	99.0	125.0	170.0	220.0	235.0	12.20	12.40	KXM11TD1F	KXM11TD3F
125	125X40	40	104.0	65.0	160.0	150.0	150.0	9.20	9.20	KXM12TD1A	KXM12TD1A
125	125X60	60	104.0	90.0	160.0	175.0	175.0	10.80	10.80	KXM12TD1C	KXM12TD3C
125	125X65	65	104.0	90.0	160.0	185.0	185.0	11.10	11.30	KXM12TD1D	KXM12TD3D
125	125X80	80	104.0	105.0	170.0	200.0	200.0	11.50	11.50	KXM12TD1E	KXM12TD1E
125	125X100	100	104.0	125.0	180.0	220.0	235.0	12.20	13.70	KXM12TD1F	KXM12TD3F
125	125X125	125	104.0	150.0	180.0	250.0	270.0	15.00	16.80	KXM12TD1G	KXM12TD3G
140	140X40	40	108.0	65.0	160.0	150.0	150.0	9.34	9.34	KXM14TD1A	KXM14TD1A
140	140X60	60	108.0	90.0	180.0	175.0	175.0	11.04	11.04	KXM14TD1C	KXM14TD3C
140	140X65	65	108.0	90.0	180.0	185.0	185.0	11.20	11.20	KXM14TD1D	KXM14TD3D
140	140X80	80	108.0	105.0	185.0	200.0	200.0	12.35	12.35	KXM14TD1E	KXM14TD1E
140	140X100	100	108.0	125.0	195.0	220.0	235.0	14.03	14.03	KXM14TD1F	KXM14TD3F
140	140X125	125	108.0	150.0	200.0	250.0	270.0	16.28	16.28	KXM14TD1G	KXM14TD3G
160	160X40	40	114.0	65.0	170.0	150.0	150.0	11.30	11.30	KXM16TD1A	KXM16TD1A
160	160X60	60	114.0	90.0	190.0	175.0	175.0	12.90	12.90	KXM16TD1C	KXM16TD3C



PITNÁ VODA

DN/OD 75 až 160



01/06/2022

EBLRE21BLT302

DN/OD	Ø DE	Ø dn	P	Lu	Hu	Ø B PN10-16	Ø B PN25	Hmotnost PN10-16	Hmotnost PN25	Reference PN10-16	Reference PN25
<i>mm</i>	<i>mm</i>	<i>mm</i>	<i>mm</i>	<i>mm</i>	<i>mm</i>	<i>mm</i>	<i>mm</i>	<i>kg</i>	<i>kg</i>		
160	160X65	65	114.0	90.0	190.0	185.0	185.0	12.90	13.30	KXM16TD1D	KXM16TD3D
160	160X80	80	114.0	105.0	200.0	200.0	200.0	14.30	14.30	KXM16TD1E	KXM16TD1E
160	160X100	100	114.0	125.0	205.0	220.0	235.0	16.40	17.00	KXM16TD1F	KXM16TD3F
160	160X125	125	114.0	150.0	210.0	250.0	270.0	18.00	19.00	KXM16TD1G	KXM16TD3G
160	160X150	150	114.0	175.0	220.0	285.0	300.0	20.30	21.60	KXM16TD1J	KXM16TD3J

Oblast použití:

- Pro dopravu a rozvod pitné a užitkové vody vyjma odpadních vod.
- Vyrobeno pro životnost více než 100 let.
- Všechny materiály přicházející do styku s pitnou vodou jsou v souladu se zákonem 258/2005 Sb. a vyhláškou MZ 409/2005 Sb.

Hlavní charakteristiky:

- Tvarovky z tvárné litiny v souladu s ČSN EN 12842, kompatibilní s PVC trubkami dle EN 1452 a polyetylenovými trubkami dle EN 12201
- Tvarovky z tvárné litiny v souladu s EN ISO 16631-2016
- Vnitřní a vnější povrchová ochrana: modrý práškový epoxid (o síle min. 250 µm) v souladu s ČSN EN 14901-1

Typy spojů:

- těsnicí spoj BLUTOP/IZIFIT
- zámkový spoj BLUTOP Vi
- zámkový spoj IZIFIT Vi